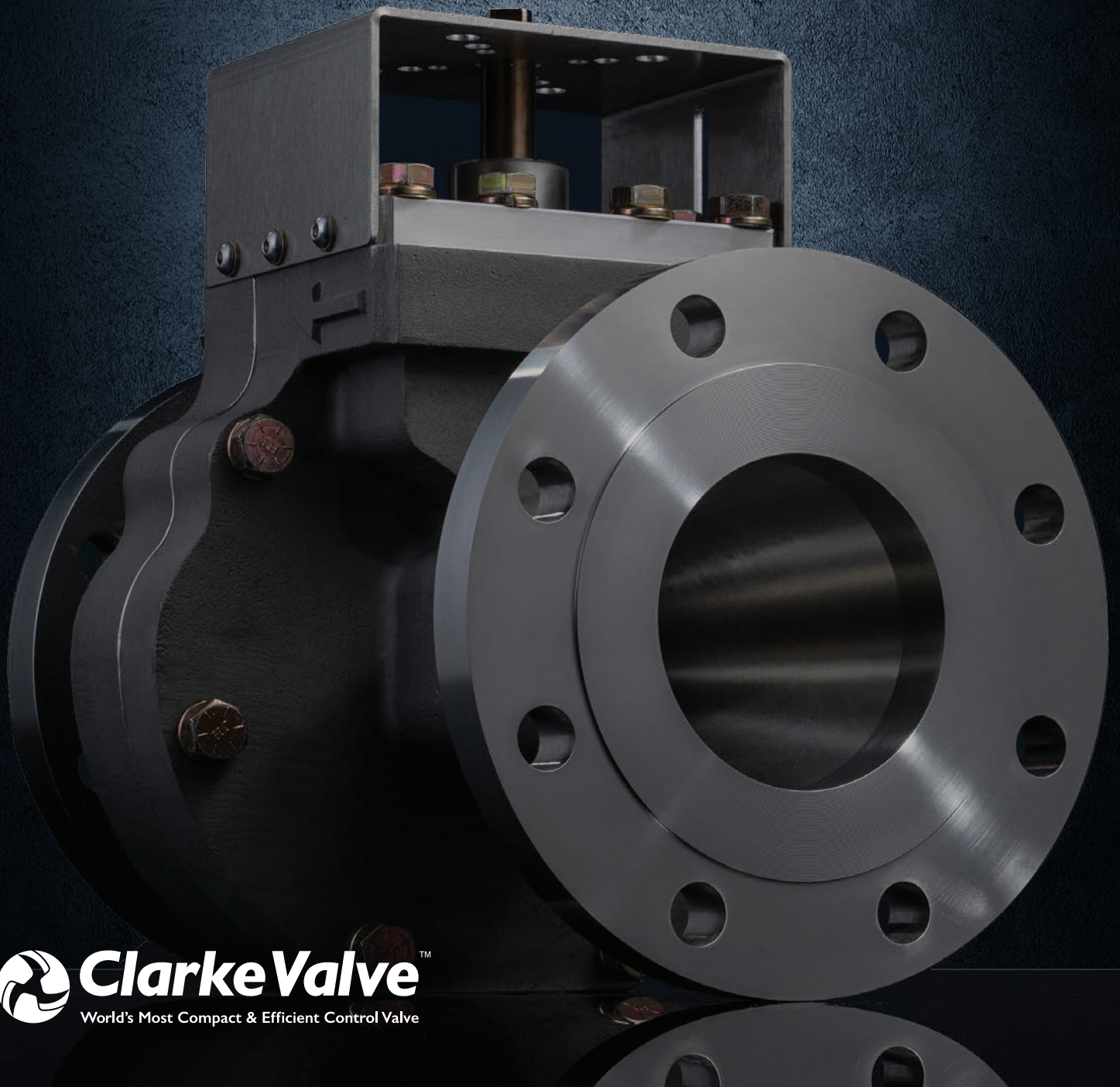


DILATING DISK™ VALVE SPECIFICATION SHEETS

CV2 | CV20 | CV71 | CV308 | CV1345



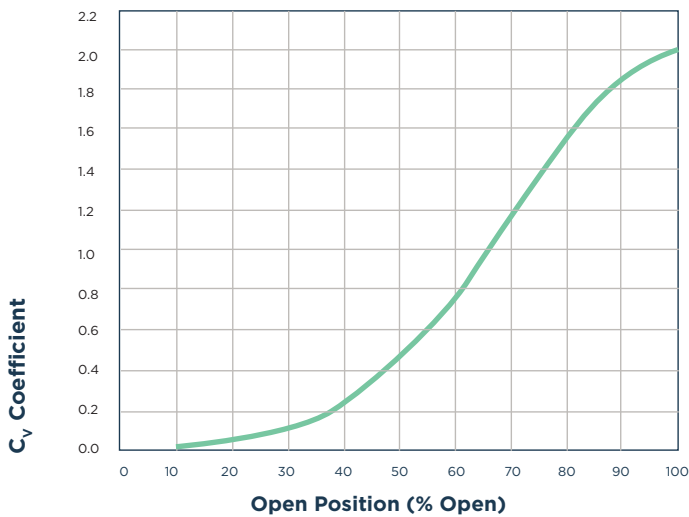
CV2 DILATING DISK™ VALVE

Flow Characteristics

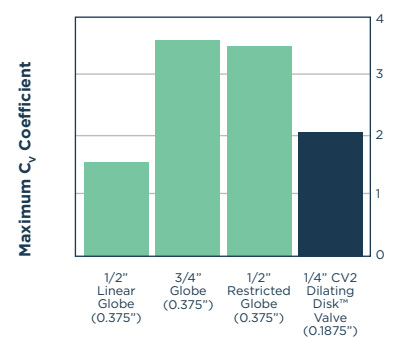
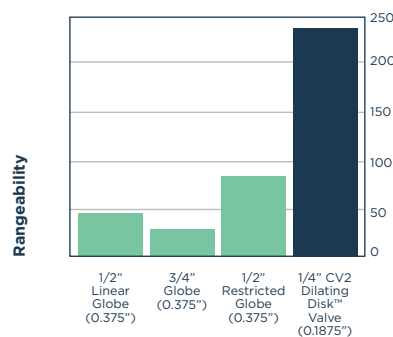
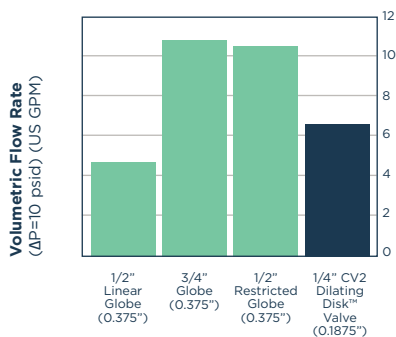
| % OPEN | C_v | K_v | F_L | X_T |
|--------|---------|--------|-------|-------|
| 10 | 0.00858 | 0.0074 | 0.99 | 0.63 |
| 20 | 0.04660 | 0.0400 | 0.96 | 0.53 |
| 30 | 0.11600 | 0.1000 | 0.90 | 0.44 |
| 40 | 0.23600 | 0.2040 | 0.87 | 0.40 |
| 50 | 0.45300 | 0.3920 | 0.84 | 0.40 |
| 60 | 0.76600 | 0.6630 | 0.75 | 0.44 |
| 70 | 1.20000 | 1.0380 | 0.60 | 0.50 |
| 80 | 1.55000 | 1.3410 | 0.48 | 0.48 |
| 90 | 1.85000 | 1.6000 | 0.41 | 0.40 |
| 100 | 2.00000 | 1.7300 | 0.37 | 0.33 |



What results does the Dilating Disk™ Valve deliver?

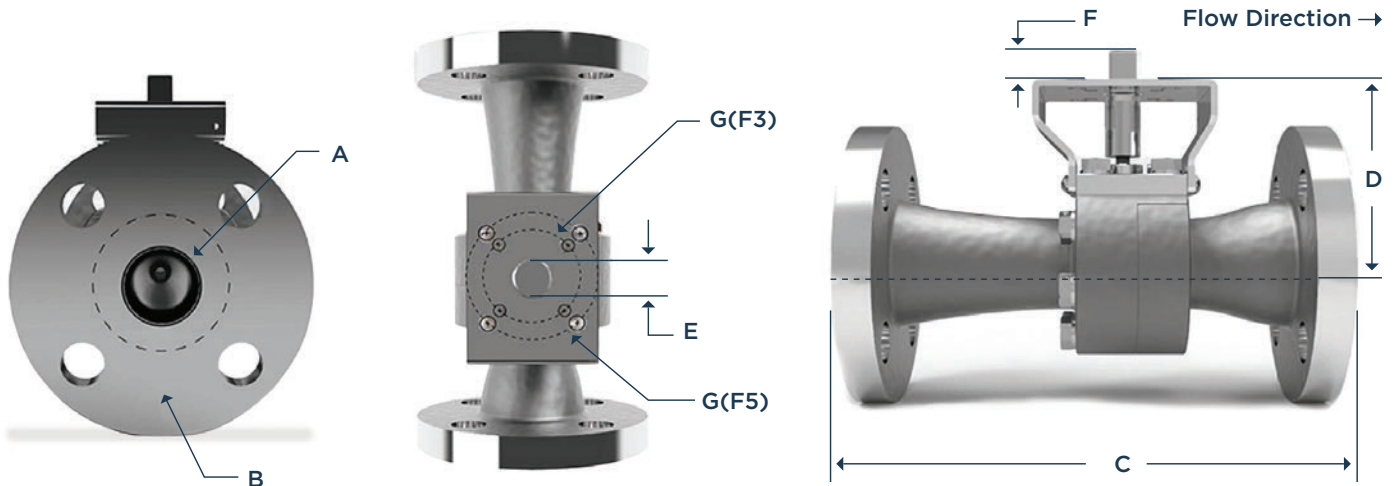


Market Comparison How does the Dilating Disk™ Valve compare?



CV2 DILATING DISK™ VALVE

PRESSURE CLASS
150 - 1500



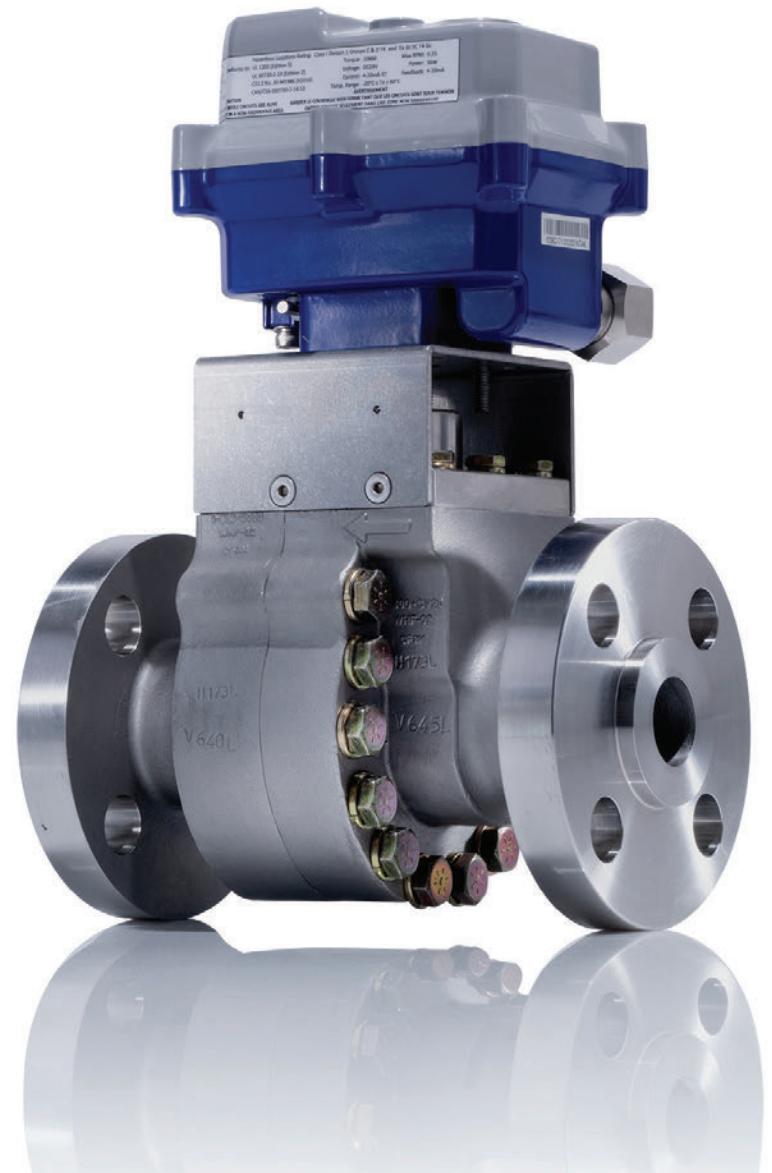
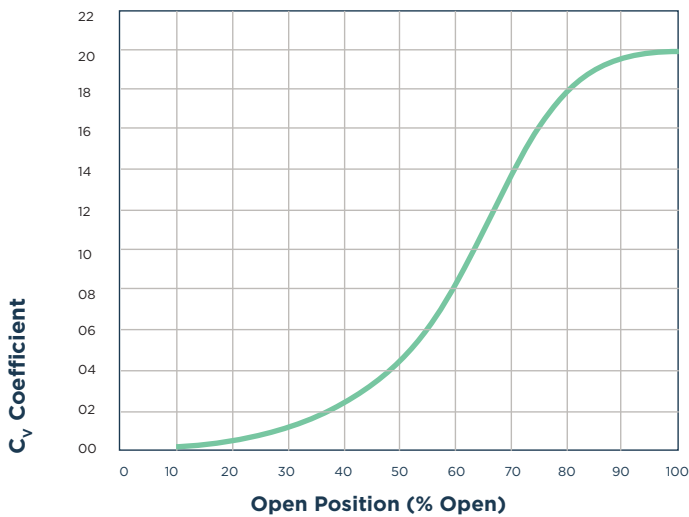
| A | | B | C | D | E | F | G | H | I | | |
|------------------|-------|-----------------------|-----------------------------|------------------------|-------------------------|--------------------------|----------------------------|--------------|---------------|----|----|
| ASME B16.5 [NPS] | | PRESSURE CLASS [ASME] | FACE TO FACE ISA 75.08 [IN] | CENTERLINE HEIGHT [IN] | DRIVE SQUARE WIDTH [IN] | DRIVE SQUARE HEIGHT [IN] | ISO 5211 YOKE PATTERN [IN] | WEIGHT [LBS] | MAST [IN-LBS] | | |
| NPT ONLY | 0.25" | CL600 | 3.15 | 2.73 | 0.433 | 0.684 | F3 - 1.417 F5 - 1.970 | 5 | 67 | | |
| | 0.50" | CL1500 | 3.15 | | | | | | | | |
| 1.00" | | CL150 | 7.25 | | | | | 9 | | | |
| | | CL300 | 7.75 | | | | | | | 12 | |
| | | CL600 | 8.25 | | | | | | | | 13 |
| | | CL1500 | 11.50 | | | | | | | | |

CV20 DILATING DISK™ VALVE

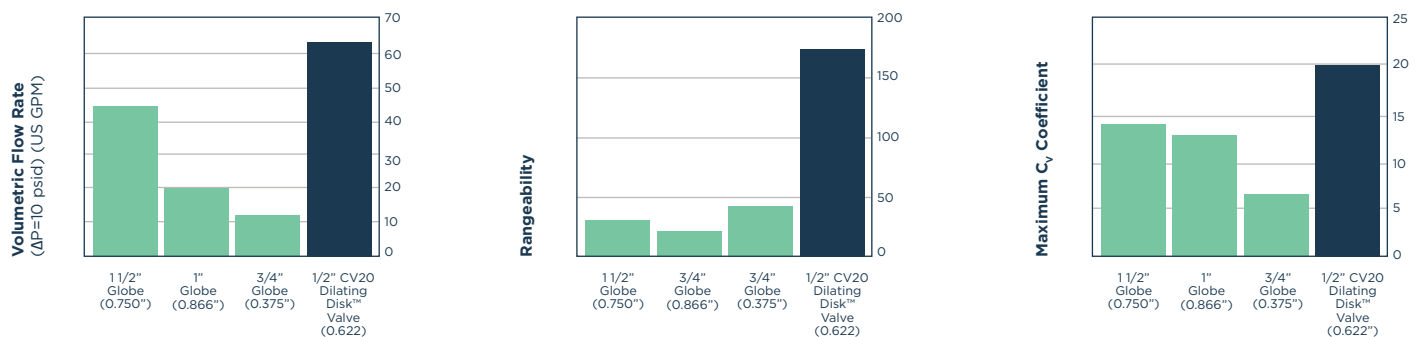
Flow Characteristics

| % OPEN | C_v | K_v | F_L | X_T |
|--------|--------|--------|-------|-------|
| 10 | 0.113 | 0.098 | 0.99 | 0.53 |
| 20 | 0.352 | 0.305 | 0.96 | 0.55 |
| 30 | 0.987 | 0.854 | 0.90 | 0.49 |
| 40 | 1.860 | 1.610 | 0.87 | 0.43 |
| 50 | 3.890 | 3.370 | 0.84 | 0.39 |
| 60 | 7.760 | 6.910 | 0.75 | 0.36 |
| 70 | 12.800 | 11.100 | 0.60 | 0.33 |
| 80 | 17.300 | 14.900 | 0.48 | 0.31 |
| 90 | 19.500 | 16.800 | 0.41 | 0.27 |
| 100 | 20.000 | 17.300 | 0.37 | 0.22 |

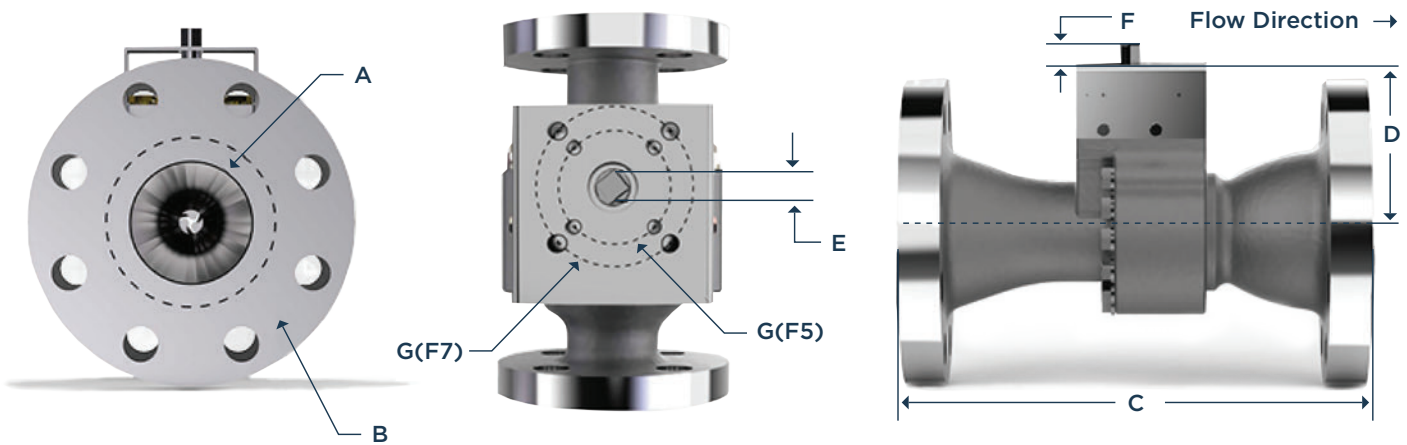
What results does the Dilating Disk™ Valve deliver?



Market Comparison How does the Dilating Disk™ Valve compare?



CV20 DILATING DISK™ VALVE PRESSURE CLASS 150 - 1500



| A | B | C | D | E | F | G | H | I |
|---------------------|--------------------------|-----------------------------------|------------------------------|-------------------------------|--------------------------------|-------------------------------------|-----------------|------------------|
| ASME B16.5 [NPS] | PRESSURE CLASS [ASME] | FACE TO FACE ISA 75.08 [IN] | CENTERLINE HEIGHT [IN] | DRIVE SQUARE WIDTH [IN] | DRIVE SQUARE HEIGHT [IN] | ISO 5211 YOKE PATTERN [IN] | WEIGHT [LBS] | MAST [IN-LBS] |
| 0.75" | CL150 | 7.25 | 4.515 | 0.433 | 0.535 | F5 - 1.97 F7 - 2.76 | 20 | 1656 |
| | CL300 | 7.62 | | | | | 22 | |
| | CL600 | 8.12 | | | | | 23 | |
| | CL900 | 10.75 | | | | | 45 | |
| | CL1500 | | | | | | 50 | |
| 1.00" | CL150 | 7.25 | | | | | 21 | |
| | CL300 | 7.75 | | | | | 24 | |
| | CL600 | 8.25 | | | | | 25 | |
| | CL900 | 10.75 | | | | | 50 | |
| | CL1500 | | | | | | 26 | |
| 1.50" | CL150 | 8.75 | | | | | 31 | |
| | CL300 | 9.25 | | | | | 33 | |
| | CL600 | 9.88 | | | | | 84 | |
| | CL900 | 12.25 | | | | | 32 | |
| | CL1500 | | | | | | 36 | |
| 2.00" | CL150 | 10.00 | 39 | | | | | |
| | CL300 | 10.50 | 84 | | | | | |
| | CL600 | 11.25 | 45 | | | | | |
| | CL900 | 14.75 | 53 | | | | | |
| | CL1500 | | 59 | | | | | |
| 3.00" | CL150 | 11.75 | 105 | | | | | |
| | CL300 | 12.50 | 129 | | | | | |
| | CL600 | 13.25 | | | | | | |
| | CL900 | 17.38 | | | | | | |
| | CL1500 | 18.12 | | | | | | |

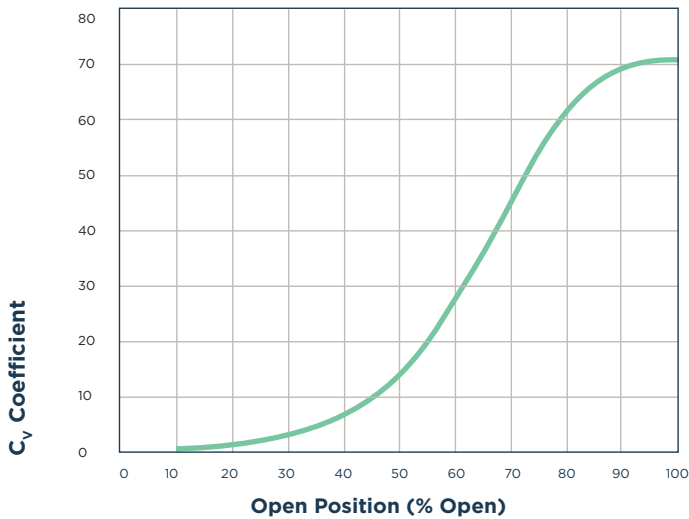
CV71 DILATING DISK™ VALVE

Flow Characteristics

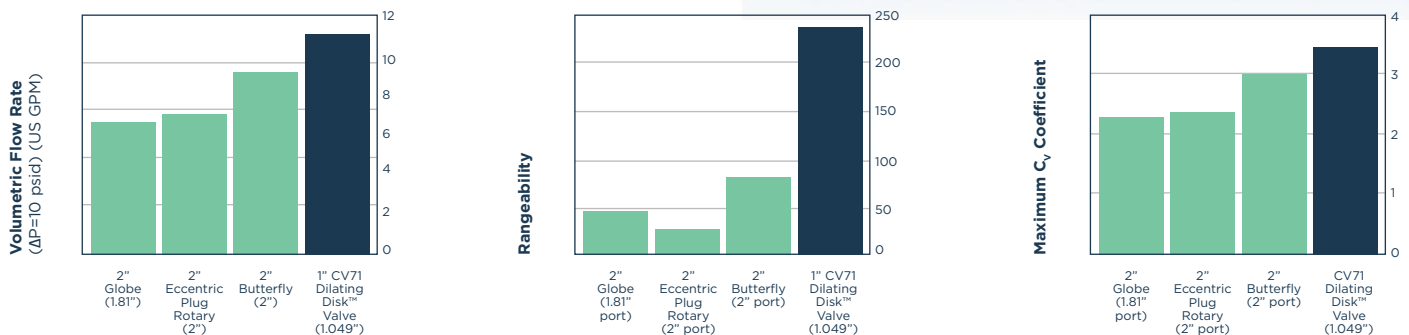
| % OPEN | C_v | K_v | F_L | X_T |
|--------|-------|--------|-------|-------|
| 10 | 0.40 | 0.346 | 0.99 | 0.45 |
| 20 | 1.25 | 1.080 | 0.96 | 0.65 |
| 30 | 3.50 | 3.030 | 0.90 | 0.61 |
| 40 | 6.60 | 5.710 | 0.87 | 0.65 |
| 50 | 13.80 | 11.900 | 0.84 | 0.61 |
| 60 | 27.60 | 23.800 | 0.75 | 0.57 |
| 70 | 45.50 | 39.400 | 0.60 | 0.41 |
| 80 | 61.40 | 53.100 | 0.48 | 0.27 |
| 90 | 69.10 | 59.700 | 0.41 | 0.16 |
| 100 | 71.00 | 61.400 | 0.37 | 0.15 |



What results does the Dilating Disk™ Valve deliver?

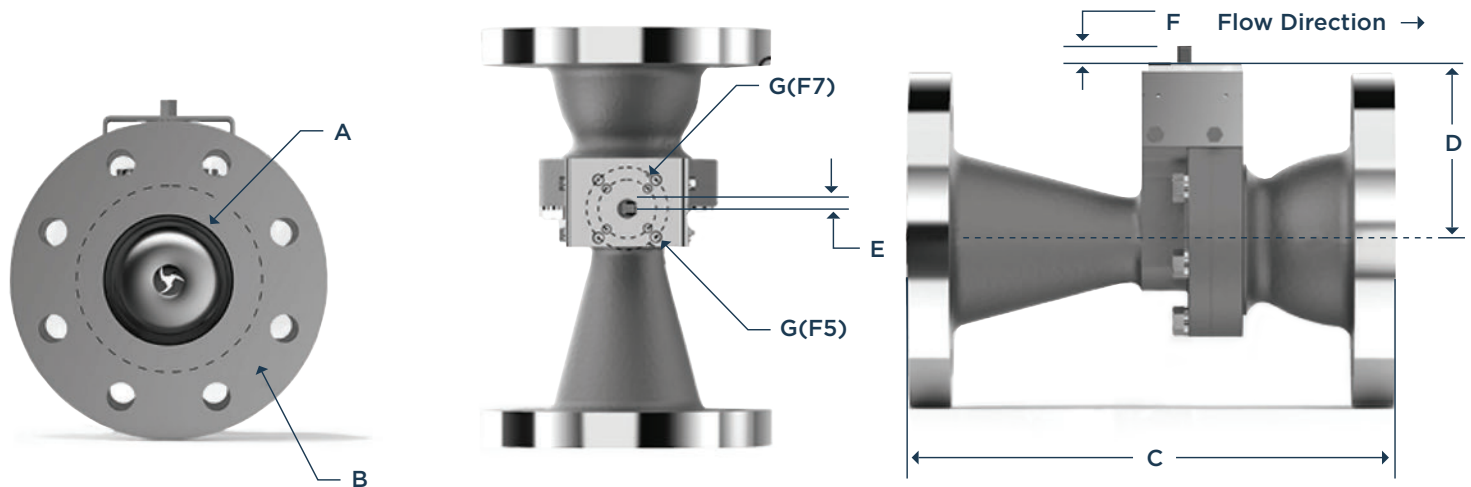


Market Comparison How does the Dilating Disk™ Valve compare?



CV71 DILATING DISK™ VALVE

PRESSURE CLASS
150 - 1500



| A | B | C | D | E | F | G | H | I |
|------------------|-----------------------|-----------------------------|------------------------|-------------------------|--------------------------|----------------------------|--------------|---------------|
| ASME B16.5 [NPS] | PRESSURE CLASS [ASME] | FACE TO FACE ISA 75.08 [IN] | CENTERLINE HEIGHT [IN] | DRIVE SQUARE WIDTH [IN] | DRIVE SQUARE HEIGHT [IN] | ISO 5211 YOKE PATTERN [IN] | WEIGHT [LBS] | MAST [IN-LBS] |
| 1.5" | CL150 | 8.75 | 5.232 | 0.433 | 0.584 | F5 - 1.97 F7 - 2.76 | 31 | 1522 |
| | CL300 | 9.25 | | | | | 36 | |
| | CL600 | 9.88 | | | | | 46 | |
| | CL900 | 13.12 | | | | | 81 | |
| | CL1500 | 13.12 | | | | | 81 | |
| 2.0" | CL150 | 10.00 | | | | | 35 | |
| | CL300 | 10.50 | | | | | 39 | |
| | CL600 | 11.25 | | | | | 52 | |
| | CL900 | 14.75 | | | | | 103 | |
| | CL1500 | 14.75 | | | | | 103 | |
| 3.0" | CL150 | 11.75 | | | | | 48 | |
| | CL300 | 12.50 | | | | | 57 | |
| | CL600 | 13.25 | | | | | 73 | |
| | CL900 | 17.38 | | | | | 103 | |
| | CL1500 | 18.12 | | | | | 149 | |
| 4.0" | CL150 | 13.88 | 62 | | | | | |
| | CL300 | 14.50 | 80 | | | | | |
| | CL600 | 15.50 | 117 | | | | | |
| | CL900 | 20.12 | 147 | | | | | |
| | CL1500 | 20.87 | 205 | | | | | |
| 6.0" | CL300 | 18.62 | 128 | | | | | |

CV308 DILATING DISK™ VALVE

Flow Characteristics

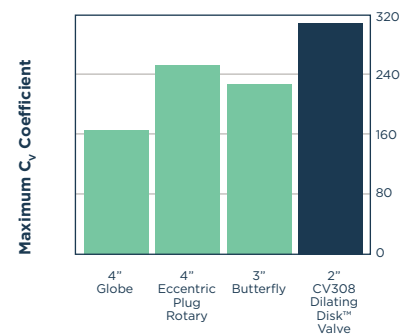
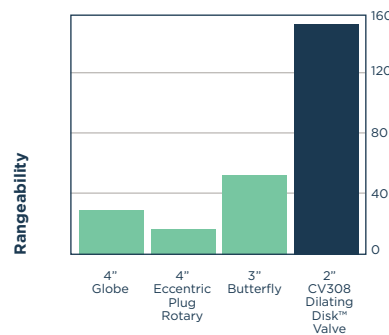
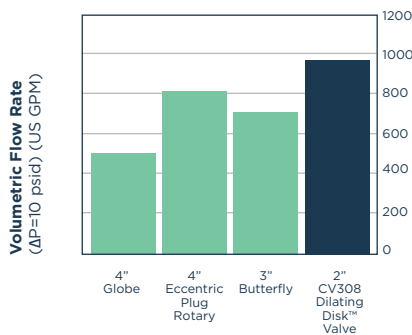
| % OPEN | C_v | K_v | F_L | X_T |
|--------|--------|-------|-------|-------|
| 10 | 2.00 | 1.7 | 0.98 | 0.49 |
| 20 | 6.08 | 5.2 | 0.93 | 0.49 |
| 30 | 12.00 | 10.4 | 0.81 | 0.46 |
| 40 | 22.20 | 19.2 | 0.76 | 0.42 |
| 50 | 41.00 | 34.5 | 0.71 | 0.37 |
| 60 | 70.10 | 60.6 | 0.56 | 0.34 |
| 70 | 118.00 | 102.0 | 0.36 | 0.32 |
| 80 | 194.00 | 168.0 | 0.23 | 0.31 |
| 90 | 280.00 | 242.0 | 0.17 | 0.28 |
| 100 | 308.00 | 266.0 | 0.14 | 0.22 |



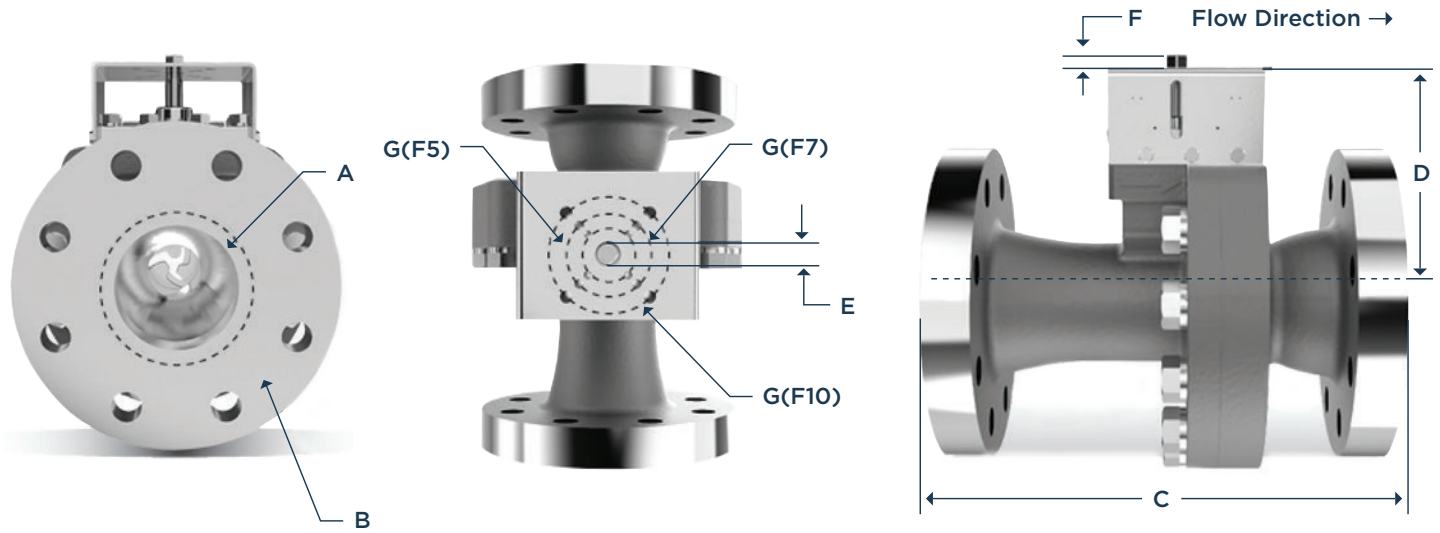
What results does the Dilating Disk™ Valve deliver?



Market Comparison How does the Dilating Disk™ Valve compare?



CV308 DILATING DISK™ VALVE PRESSURE CLASS 150 - 600



| A | B | C | D | E | F | G | H | I |
|------------------|-----------------------|-----------------------------|------------------------|-------------------------|--------------------------|---|--------------|---------------|
| ASME B16.5 [NPS] | PRESSURE CLASS [ASME] | FACE TO FACE ISA 75.08 [IN] | CENTERLINE HEIGHT [IN] | DRIVE SQUARE WIDTH [IN] | DRIVE SQUARE HEIGHT [IN] | ISO 5211 YOKE PATTERN [IN] | WEIGHT [LBS] | MAST [IN-LBS] |
| 3" | CL150 | 11.75 | 8.027 | 0.574 | 0.584 | F5 - 1.970 F7 - 2.760 F10 - 4.016 | 87 | 2566 |
| | CL300 | 12.50 | | | | | 100 | |
| | CL600 | 13.25 | | | | | 127 | |
| 4" | CL150 | 13.88 | | | | | 99 | |
| | CL300 | 14.50 | | | | | 122 | |
| | CL600 | 15.50 | | | | | 170 | |
| 6" | CL150 | 17.75 | | | | | 131 | |
| | CL300 | 18.62 | | | | | 172 | |
| | CL600 | 20.00 | | | | | 248 | |

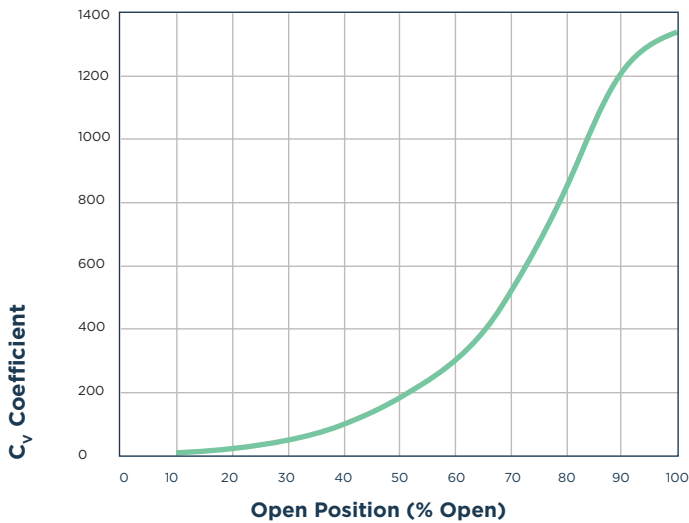
CVI345 DILATING DISK™ VALVE

Flow Characteristics

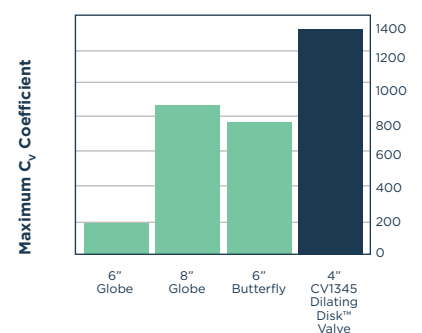
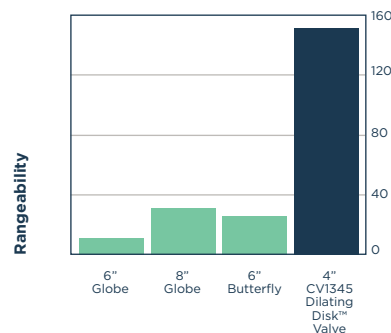
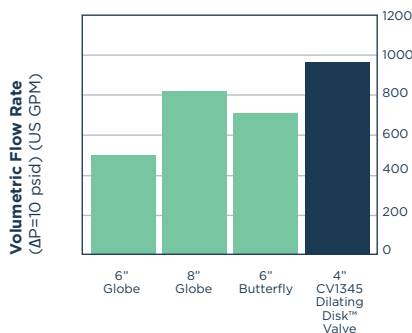
| % OPEN | C_v | K_v | F_L | X_T |
|--------|-------|---------|-------|-------|
| 10 | 9 | 7.79 | 0.98 | 0.52 |
| 20 | 26 | 22.50 | 0.93 | 0.49 |
| 30 | 53 | 45.80 | 0.81 | 0.42 |
| 40 | 9 | 83.90 | 0.76 | 0.36 |
| 50 | 181 | 156.00 | 0.71 | 0.32 |
| 60 | 303 | 262.00 | 0.56 | 0.28 |
| 70 | 515 | 445.00 | 0.36 | 0.24 |
| 80 | 844 | 731.00 | 0.23 | 0.19 |
| 90 | 1220 | 1060.00 | 0.17 | 0.17 |
| 100 | 1345 | 1160.00 | 0.14 | 0.14 |



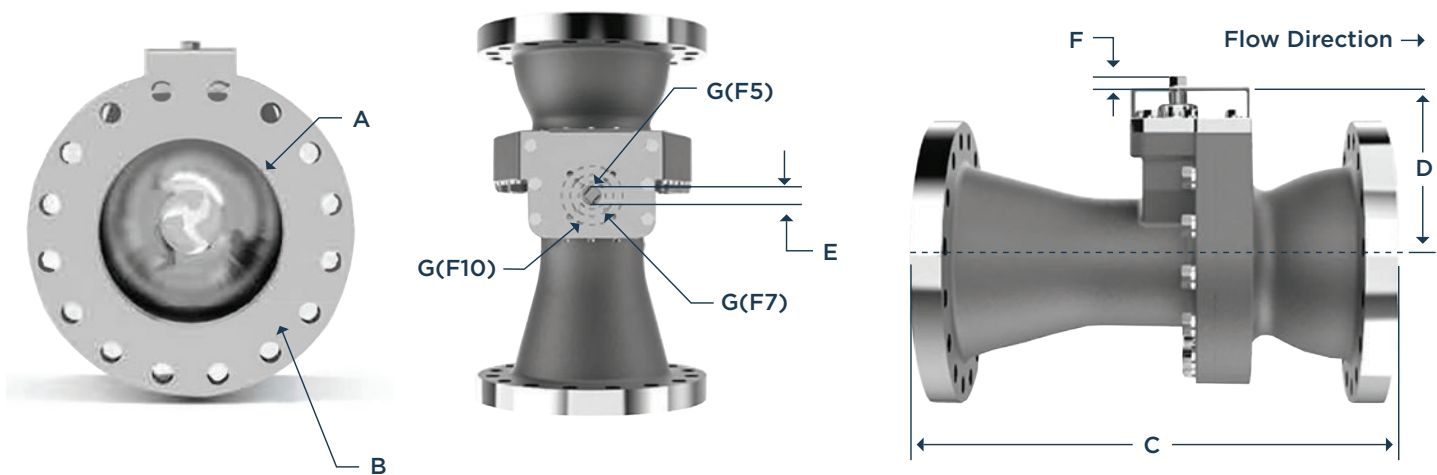
What results does the Dilating Disk™ Valve deliver?



Market Comparison How does the Dilating Disk™ Valve compare?



CVI345 DILATING DISK™ VALVE PRESSURE CLASS 150 - 600



| A | B | C | D | E | F | G | H | I |
|------------------|-----------------------|-----------------------------|------------------------|-------------------------|--------------------------|---|--------------|---------------|
| ASME B16.5 [NPS] | PRESSURE CLASS [ASME] | FACE TO FACE ISA 75.08 [IN] | CENTERLINE HEIGHT [IN] | DRIVE SQUARE WIDTH [IN] | DRIVE SQUARE HEIGHT [IN] | ISO 5211 YOKE PATTERN [IN] | WEIGHT [LBS] | MAST [IN-LBS] |
| 6" | CL150 | 17.75 | 10.827 | 0.866 | 0.7 | F5 - 1.970 F7 - 2.760 F10 - 4.016 | 312 | 8641 |
| | CL300 | 18.62 | | | | | 361 | |
| | CL600 | 20.00 | | | | | 443 | |
| 8" | CL150 | 21.38 | | | | | 370 | |
| | CL300 | 22.38 | | | | | 441 | |
| | CL600 | 24.00 | | | | | 535 | |
| 10" | CL150 | 26.50 | | | | | 458 | |
| | CL300 | 27.88 | | | | | 551 | |
| | CL600 | 32.35 | | | | | 717 | |
| 12" | CL150 | 29.00 | | | | | 542 | |
| | CL300 | 30.50 | | | | | 665 | |
| | CL600 | 32.25 | | | | | 819 | |



42 WHITECAP DRIVE
NORTH KINGSTOWN, RI 02852
SALES@CLARKEVALVE.COM

PHONE: (401) 667-7880
(800) 401-6618
FAX: (401) 667-0045

 **Clarke Valve**™
World's Most Compact & Efficient Control Valve