

CV308 DILATING DISK™ VALVE

Flow Characteristics

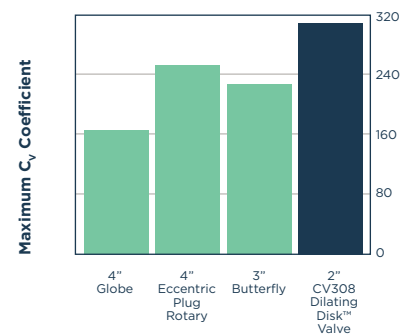
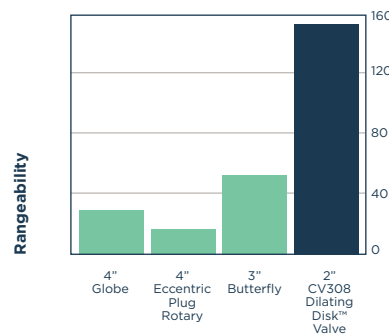
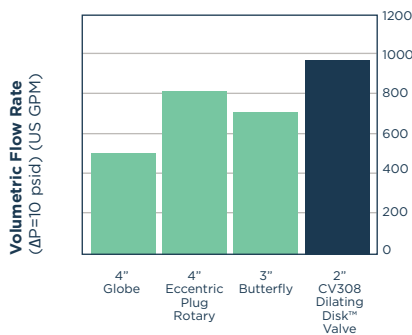
% OPEN	C_v	K_v	F_L	X_T
10	2.00	1.7	0.98	0.49
20	6.08	5.2	0.93	0.49
30	12.00	10.4	0.81	0.46
40	22.20	19.2	0.76	0.42
50	41.00	34.5	0.71	0.37
60	70.10	60.6	0.56	0.34
70	118.00	102.0	0.36	0.32
80	194.00	168.0	0.23	0.31
90	280.00	242.0	0.17	0.28
100	308.00	266.0	0.14	0.22



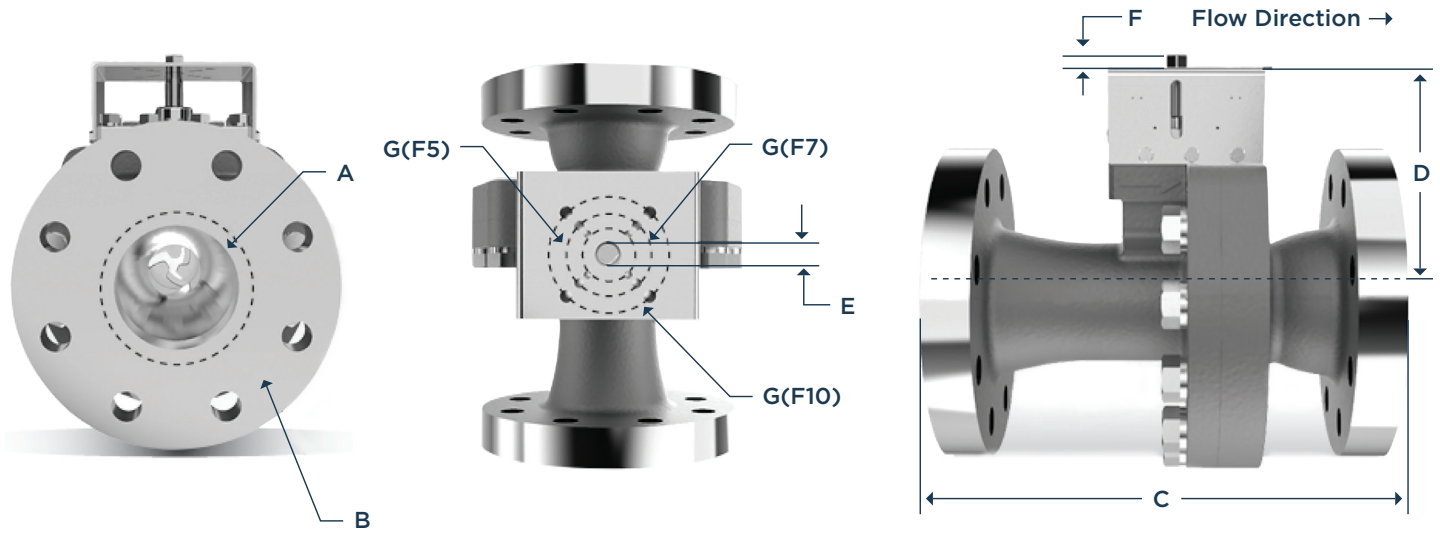
What results does the Dilating Disk™ Valve deliver?



Market Comparison How does the Dilating Disk™ Valve compare?



CV308 DILATING DISK™ VALVE PRESSURE CLASS 150 - 600



A	B	C	D	E	F	G	H	I
ASME B16.5 [NPS]	PRESSURE CLASS [ASME]	FACE TO FACE ISA 75.08 [IN]	CENTERLINE HEIGHT [IN]	DRIVE SQUARE WIDTH [IN]	DRIVE SQUARE HEIGHT [IN]	ISO 5211 YOKE PATTERN [IN]	WEIGHT [LBS]	MAST [IN-LBS]
3"	CL150	11.75	8.027	0.574	0.584	F5 - 1.970 F7 - 2.760 F10 - 4.016	87	2566
	CL300	12.50					100	
	CL600	13.25					127	
4"	CL150	13.88					99	
	CL300	14.50					122	
	CL600	15.50					170	
6"	CL150	17.75					131	
	CL300	18.62					172	
	CL600	20.00					248	