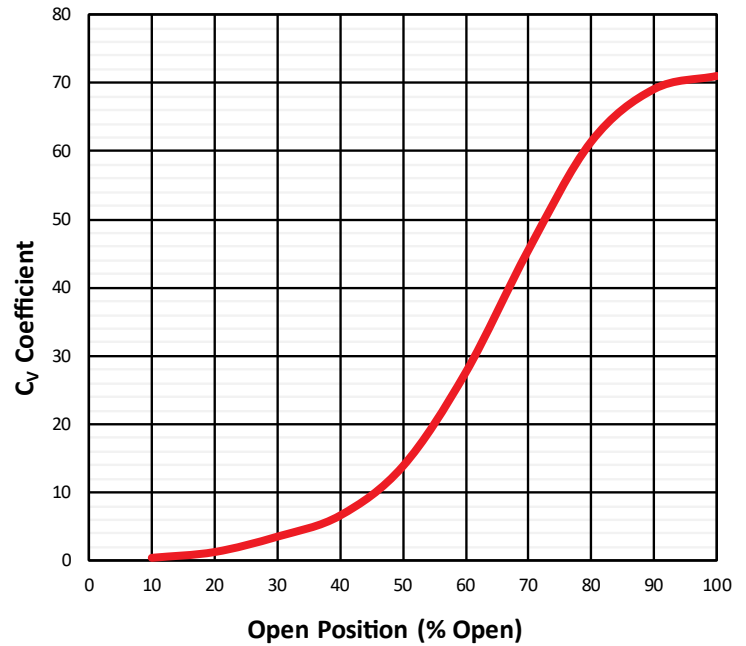


CV71
(shown without actuator)

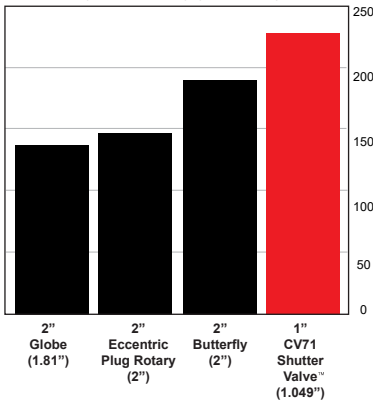
Flow Characteristics

% Open	C _v	K _v	F _L	X _T
10	0.400	0.346	0.99	0.45
20	1.25	1.08	0.96	0.65
30	3.50	3.03	0.90	0.61
40	6.60	5.71	0.87	0.65
50	13.8	11.9	0.84	0.61
60	27.6	23.8	0.75	0.57
70	45.5	39.4	0.60	0.41
80	61.4	53.1	0.48	0.27
90	69.1	59.7	0.41	0.16
100	71.0	61.4	0.37	0.15

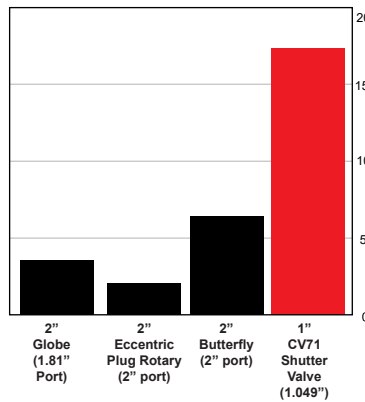


Market Comparison

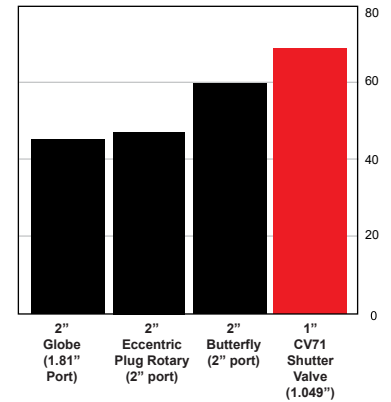
Volumetric Flow Rate
(ΔP=10 psid) (US GPM)



Rangeability



Maximum Cv Coefficient



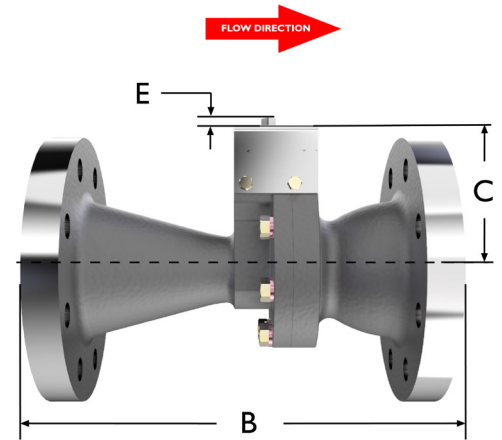
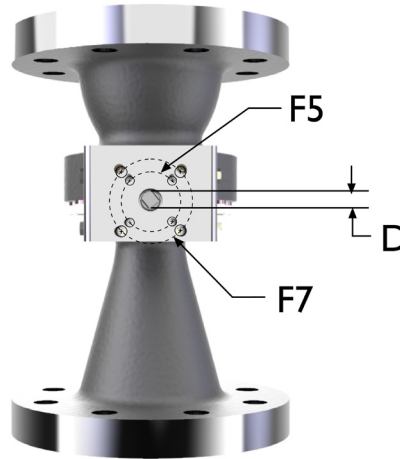
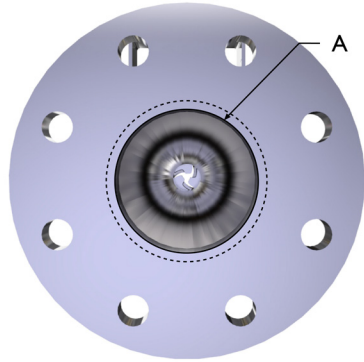
CV7I Shutter Valve™

Pressure Class 150 - 1500



Clarke Valve™

World's Most Compact & Efficient Control Valve



A	B		C	D	E	F	G	H
ISA 75.08 FLANGE [IN]	PRESSURE CLASS	ISA 75.08 [IN]	[IN]	DRIVE SQUARE [IN]	DRIVE ENGAGEMENT [IN]	ISO 5211 YOKE PATTERN [IN]	WEIGHT [LBS]	MINIMUM TORQUE [IN-LBS]
1"	CL150	7.25	5.232	0.433	0.584	F5- 1.970 F7-2.760	25	400
	CL300	7.75					28	
	CL600	8.25					36	
	CL900	11.5					66	
	CL1500						31	
1 1/2"	CL150	8.75					36	
	CL300	9.25					46	
	CL600	9.88					81	
	CL900	13.12					35	
	CL1500						39	
2"	CL150	10					52	
	CL300	10.5					103	
	CL600	11.25					48	
	CL900	14.75					57	
	CL1500						73	
3"	CL150	11.75	103					
	CL300	12.5	149					
	CL600	13.25	62					
	CL900	17.38	80					
	CL1500		117					
4"	CL150	13.88	147					
	CL300	14.5	205					
	CL600	15.5	128					
	CL900	20.12						
	CL1500	21.12						
6"	CL300	18.62						