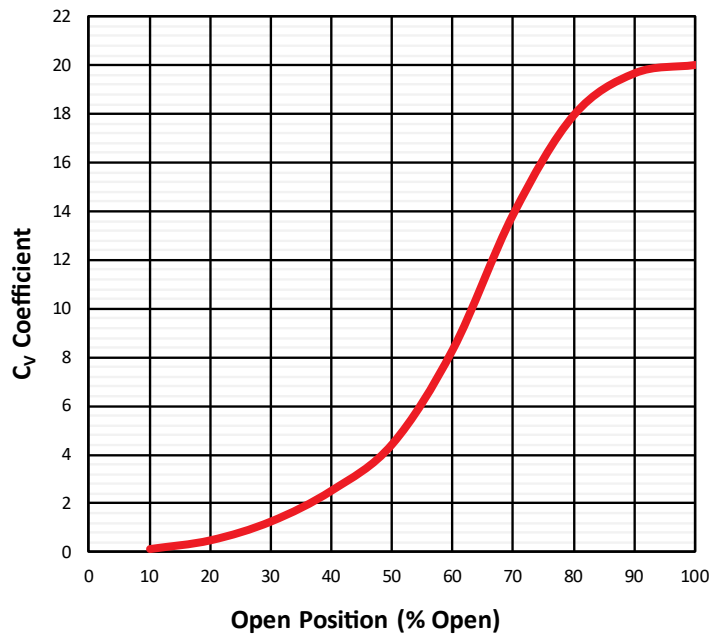


CV20  
(shown without actuator)

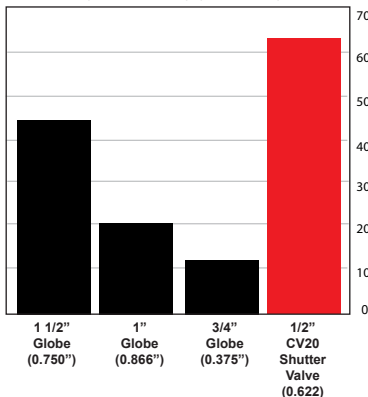
## Flow Characteristics

% Open	C <sub>v</sub>	K <sub>v</sub>	F <sub>L</sub>	X <sub>T</sub>
10	0.113	0.098	0.99	0.53
20	0.352	0.305	0.96	0.55
30	0.987	0.854	0.90	0.49
40	1.86	1.61	0.87	0.43
50	3.89	3.37	0.84	0.39
60	7.76	6.71	0.75	0.36
70	12.8	11.1	0.60	0.33
80	17.3	14.9	0.48	0.31
90	19.5	16.8	0.41	0.27
100	20.0	17.3	0.37	0.22

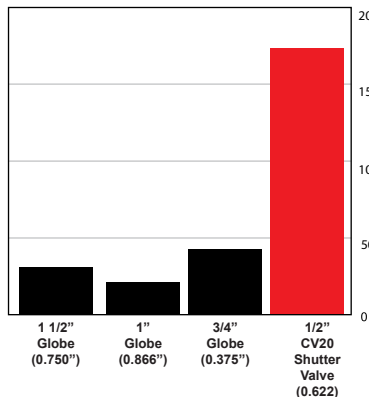


## Market Comparison

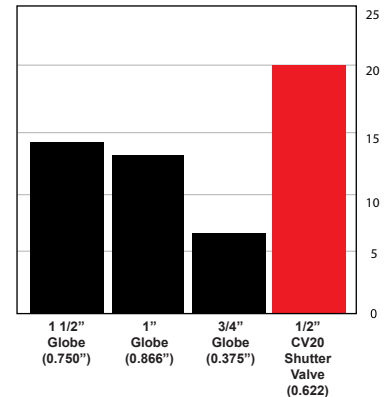
Volumetric Flow Rate  
(ΔP=10 psid) (US GPM)



Rangeability



Maximum Cv Coefficient



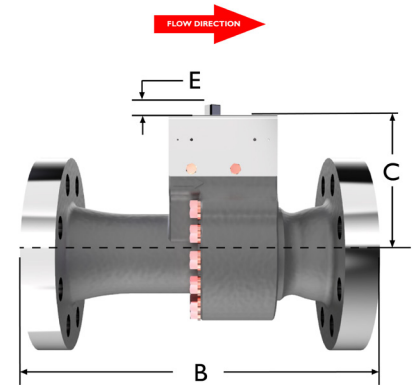
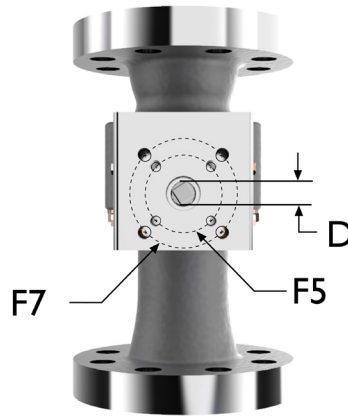
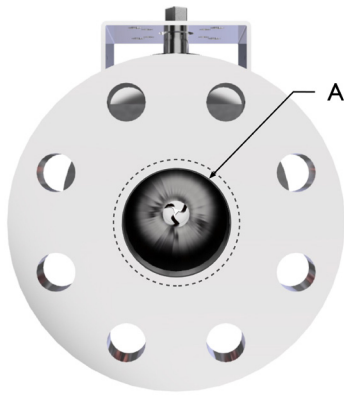
# CV20 Shutter Valve™

Pressure Class 150 - 1500



# Clarke Valve™

World's Most Compact & Efficient Control Valve



A	B		C	D	E	F	G	H
ISA 75.08 FLANGE [IN]	PRESSURE CLASS	ISA 75.08 [IN]	[IN]	DRIVE SQUARE [IN]	DRIVE ENGAGEMENT [IN]	ISO 5211 YOKE PATTERN [IN]	WEIGHT [LBS]	MINIMUM TORQUE [IN-LBS]
0.5"	CL150	7.25	4.515	0.433	0.535	F5 - 1.970 F7 - 2.760	19	400
	CL300	7.5					20	
	CL600	8					21	
	CL900	10.75					42	
	CL1500						20	
0.75"	CL150	7.25					22	
	CL300	7.62					23	
	CL600	8.12					45	
	CL900	10.75					21	
	CL1500						24	
1"	CL150	7.25					25	
	CL300	7.75					50	
	CL600	8.25					26	
	CL900	10.75					31	
	CL1500						33	
1.5"	CL150	8.75	84					
	CL300	9.25	32					
	CL600	9.88	36					
	CL900	12.25	39					
	CL1500		84					
2"	CL150	10	45					
	CL300	10.5	53					
	CL600	11.25	59					
	CL900	13.38	105					
	CL1500		129					
3"	CL150	11.75						
	CL300	12.5						
	CL600	13.25						
	CL900	15.25						
	CL1500	16						