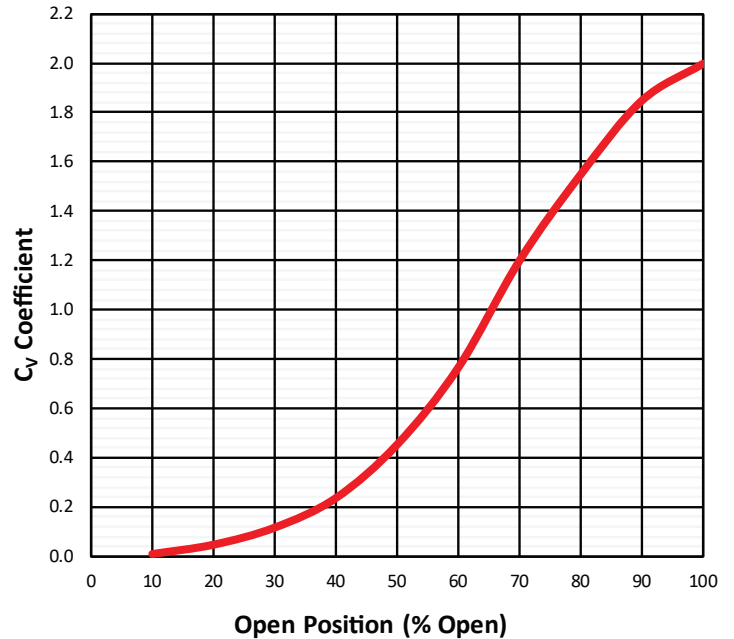


CV2
(shown without actuator)

Flow Characteristics

What results does the Shutter Valve deliver?

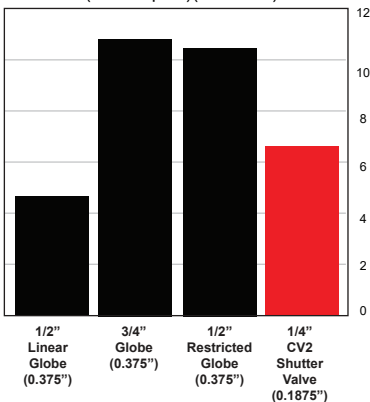
% Open	C _v	K _v	F _L	X _T
10	0.00858	0.0074	0.99	0.63
20	0.0466	0.040	0.96	0.52
30	0.116	0.100	0.90	0.44
40	0.236	0.204	0.87	0.40
50	0.453	0.392	0.84	0.40
60	0.766	0.663	0.75	0.44
70	1.20	1.038	0.60	0.50
80	1.55	1.341	0.48	0.48
90	1.85	1.600	0.41	0.40
100	2.00	1.730	0.37	0.33



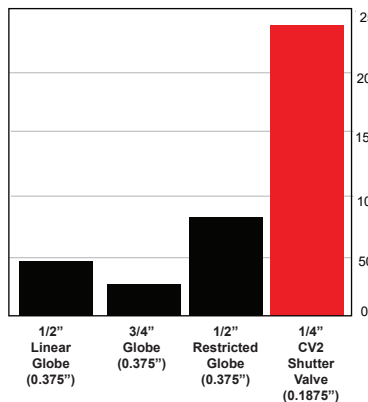
Market Comparison

How does the Shutter Valve Compare?

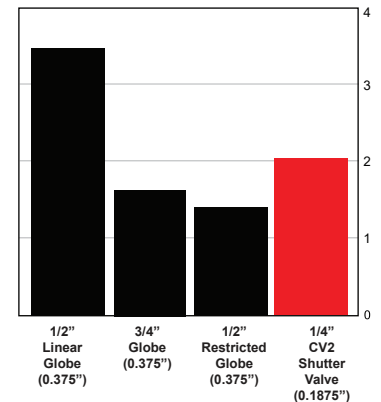
Volumetric Flow Rate
(ΔP=10 psid)(US GPM)



Rangeability



Maximum Cv Coefficient



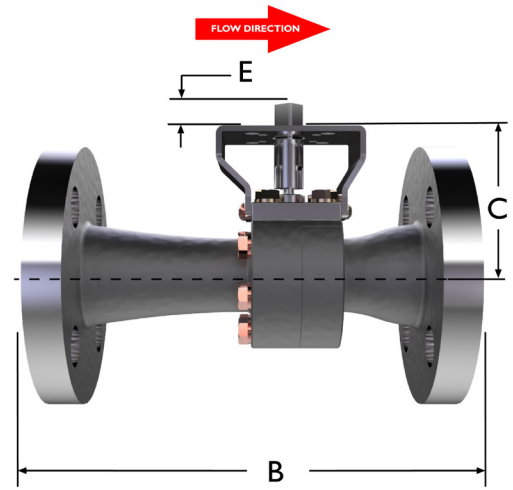
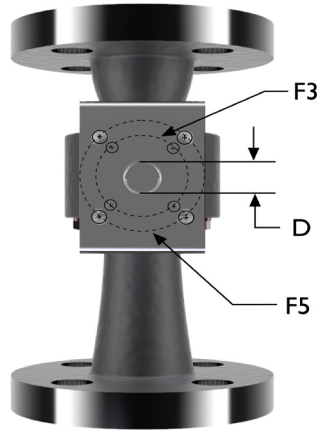
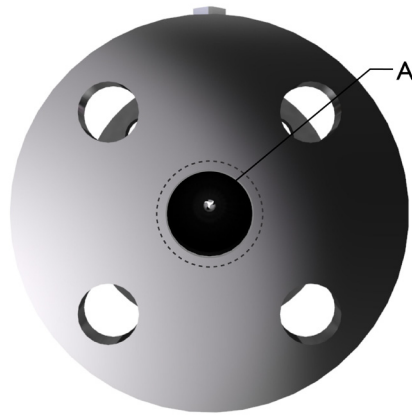
CV2 Shutter Valve™

Pressure Class 150 - 1500



Clarke Valve™

World's Most Compact & Efficient Control Valve



A	B		C	D	E	F	G	H
ISA 75.08 FLANGE [IN]	PRESSURE CLASS	ISA 75.08 [IN]	[IN]	DRIVE SQUARE [IN]	DRIVE ENGAGEMENT [IN]	ISO 5211 YOKE PATTERN [IN]	WEIGHT [LBS]	MINIMUM TORQUE [IN-LBS]
.25"	CL150	3.15	2.73	0.433	0.684	F3- 1.417 F5- 1.970	3	200
	CL600	3.15					5	
	CL1500	3.15					5	
.5"	CL150	3.15					3	
	CL600	3.15					5	
	CL1500	3.15					5	
1"	CL150	7.25					9	
	CL300	7.75					12	
	CL600	8.25					13	
	CL1500	11.5	25					