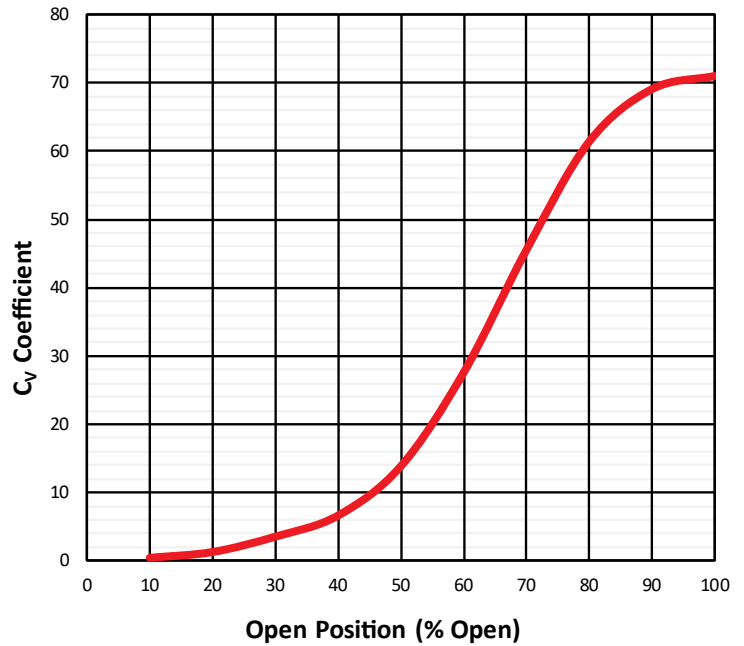


CV71  
(shown without actuator)

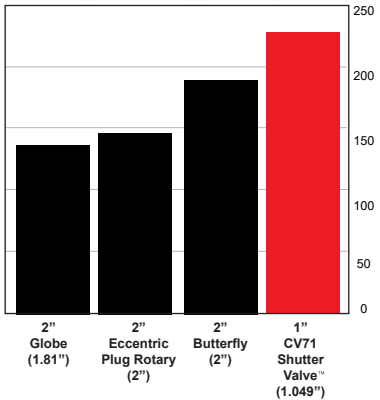
## Flow Characteristics

% Open	C <sub>V</sub>	F <sub>L</sub>	X <sub>T</sub>	K <sub>V</sub>
10 %	0.40	0.99	0.45	0.34
20 %	1.25	0.96	0.65	1.08
30 %	3.50	0.90	0.61	3.02
40 %	6.60	0.87	0.65	5.70
50 %	13.80	0.84	0.62	11.93
60 %	27.50	0.75	0.57	23.78
70 %	45.50	0.60	0.41	39.35
80 %	61.40	0.48	0.27	53.11
90 %	69.10	0.41	0.16	59.77
100 %	71.0	0.37	0.15	61.41

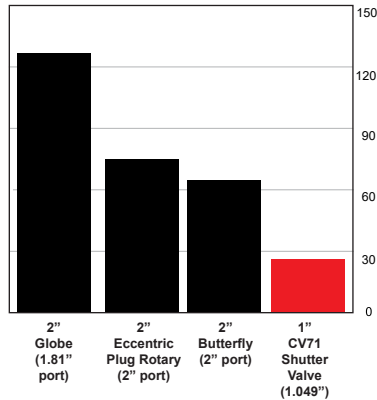


## Market Comparison

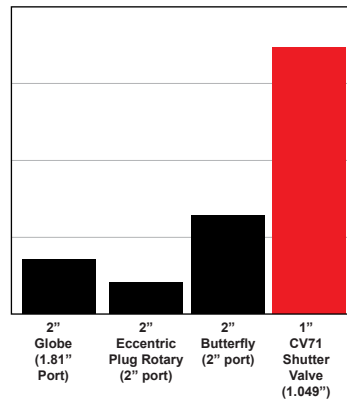
Volumetric Flow Rate  
(ΔP=10 psid) (US GPM)



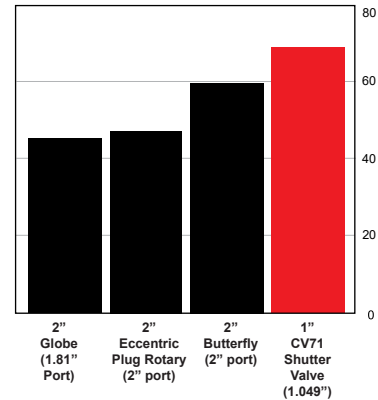
Assembly Weight  
(lbs)



Rangeability



Maximum Cv Coefficient



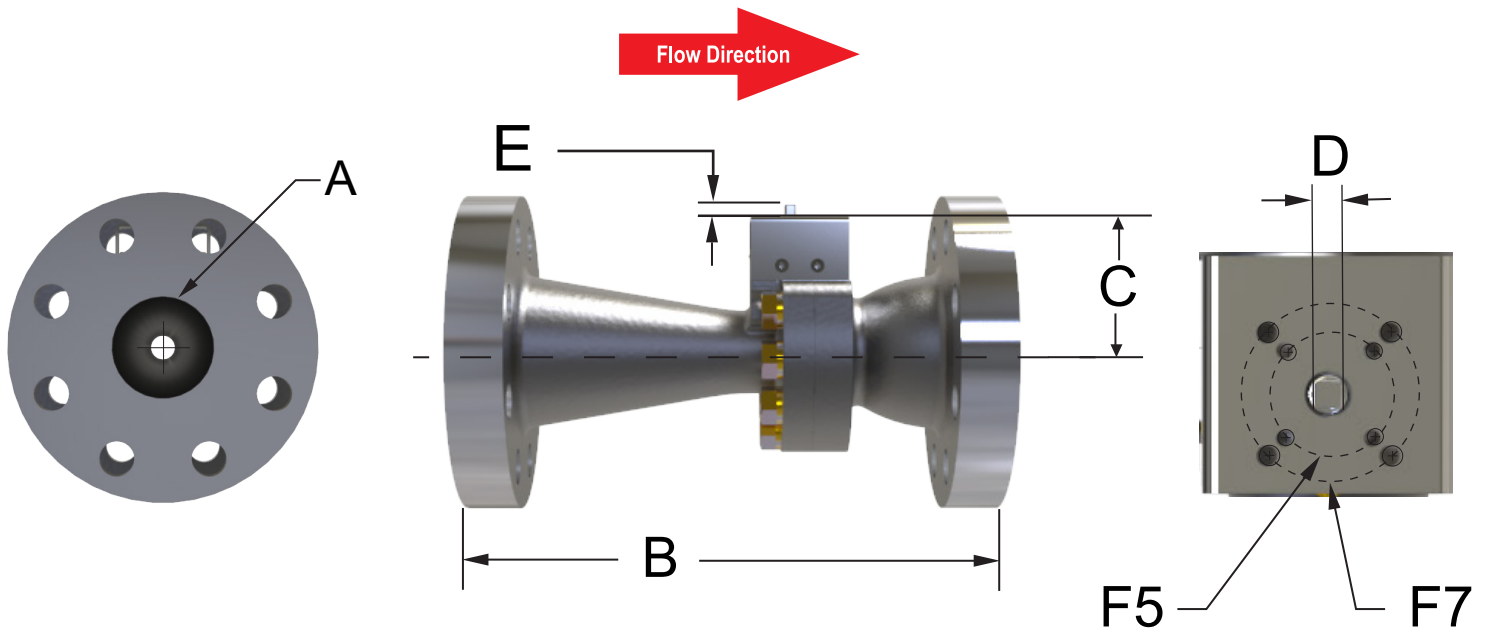
# CV7I Shutter Valve™

Pressure Class 150 - 1500



# Clarke Valve™

World's Most Compact & Efficient Control Valve



A	B		C	D	E	F	G	H
ANSI B16.5 FLANGE [IN]	Pressure Class	ANSI B16.10 [IN]	[IN]	DRIVE SQUARE [IN]	DRIVE ENGAGEMENT [IN]	YOKE PATTERN [IN] ISO 5211	WEIGHT [LBS]	MINIMUM TORQUE [IN- LBS]
1"	CL150	5.14	5.23	0.433	0.584	F5- 1.970 F7- 2.760	26	400
	CL300	8					29	
	CL600	8.5					40	
	CL900	10					66	
	CL1500						32	
1 1/2"	CL150	6.5					37	
	CL300	9					50	
	CL600	9.5					82	
	CL900	12					36	
	CL1500						40	
2"	CL150	8					56	
	CL300	10.5					102	
	CL600	11.5					49	
	CL900	14.5					59	
	CL1500						77	
3"	CL150	9.5					107	
	CL300	12.5					148	
	CL600	14					64	
	CL900	15					82	
	CL1500	18.5					121	
4"	CL150	11.5	151					
	CL300	14	205					
	CL600	17						
	CL900	18						
	CL1500	21.5						