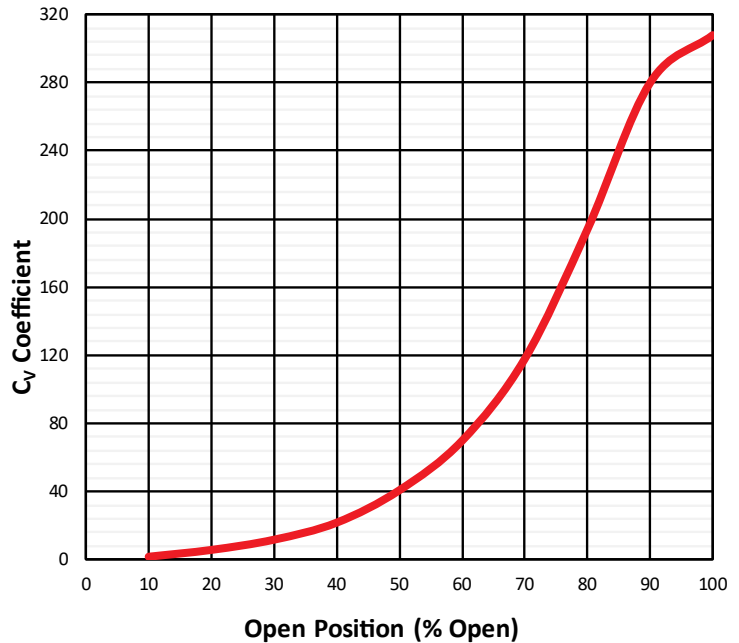


CV308
(shown without actuator)

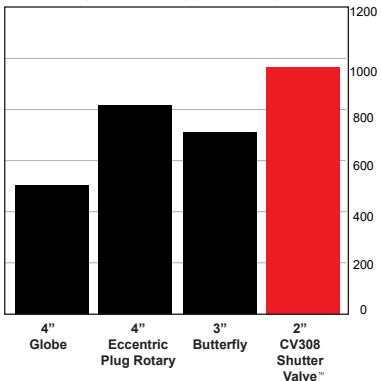
Flow Characteristics

% Open	C _V	F _L	X _T	K _V
10 %	2.0	0.98	0.49	1.73
20 %	6.00	0.93	0.49	6.0
30 %	12.0	0.81	0.46	12.0
40 %	22.0	0.76	0.42	22.0
50 %	41.0	0.71	0.37	41.0
60 %	70.0	0.56	0.34	70.0
70 %	118	0.36	0.32	118
80 %	194	0.23	0.31	194
90 %	280	0.17	0.28	280
100 %	308	0.14	0.22	308

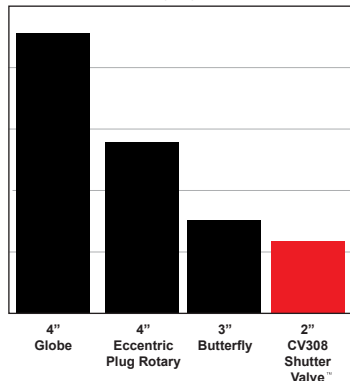


Market Comparison

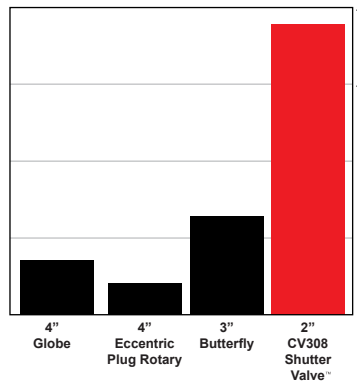
Volumetric Flow Rate
(ΔP=10 psid)(US GPM)



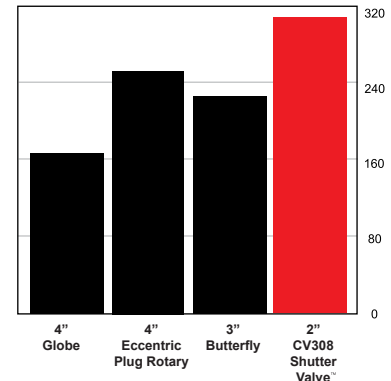
Assembly Weight
(lbs)



Rangeability



Maximum Cv Coefficient



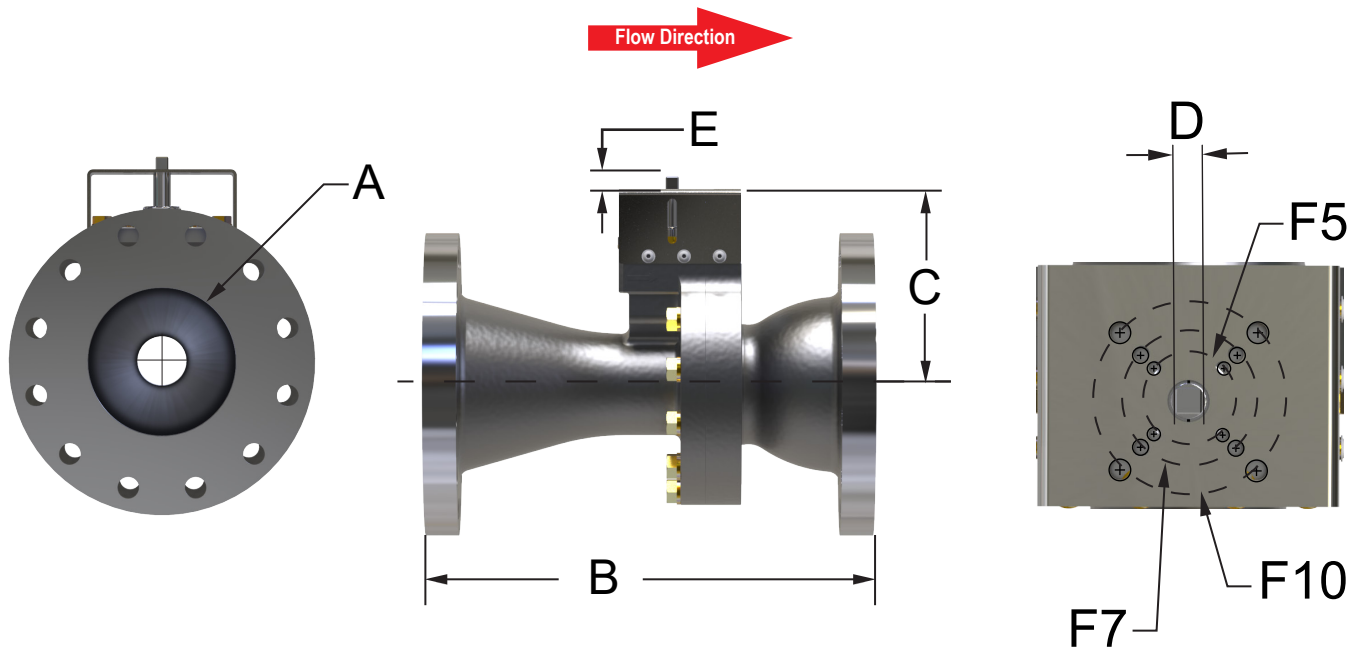
CV308 Shutter Valve™

Pressure Class 150 - 600



Clarke Valve™

World's Most Compact & Efficient Control Valve



A	B		C	D	E	F	G	H
ANSI B16.5 FLANGE [IN]	Pressure Class	ANSI B16.10 [IN]	[IN]	DRIVE SQUARE [IN]	DRIVE ENGAGEMENT [IN]	YOKE PATTERN [IN] ISO 5211	WEIGHT [LBS]	MINIMUM TORQUE [IN-LBS]
2"	CL150	8	8.02	0.550	0.574	F5- 1.970 F7- 2.760 F10- 4.016	77	600
	CL300	10.5					86	
	CL600	11.5					107	
3"	CL150	9.5					89	
	CL300	12.5					103	
	CL600	14					127	
4"	CL150	11.5					101	
	CL300	14					125	
	CL600	17					170	
6"	CL150	16					133	
	CL300	17.5					175	
	CL600	22					248	