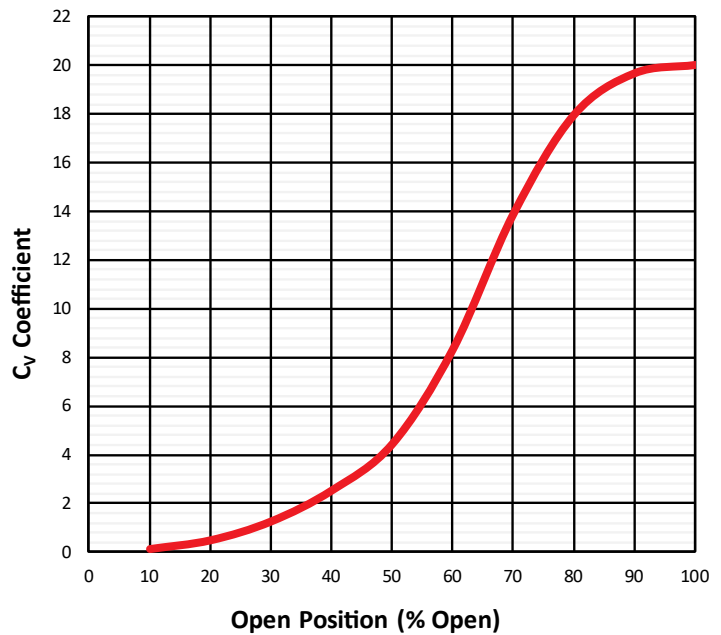


CV20  
(shown without actuator)

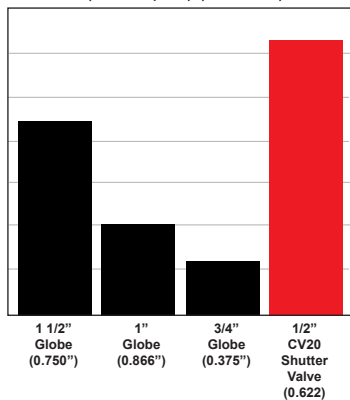
## Flow Characteristics

% Open	C <sub>V</sub>	F <sub>L</sub>	X <sub>T</sub>	K <sub>V</sub>
10 %	0.11	0.99	0.53	0.095
20 %	0.35	0.96	0.55	0.303
30 %	0.99	0.90	0.49	0.856
40 %	1.86	0.87	0.43	1.609
50 %	3.89	0.84	0.39	3.365
60 %	7.76	0.75	0.36	6.712
70 %	12.8	0.60	0.33	11.07
80 %	17.3	0.48	0.31	14.96
90 %	19.5	0.41	0.27	16.87
100 %	20.0	0.37	0.22	17.30

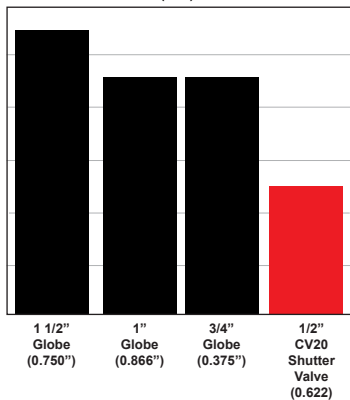


## Market Comparison

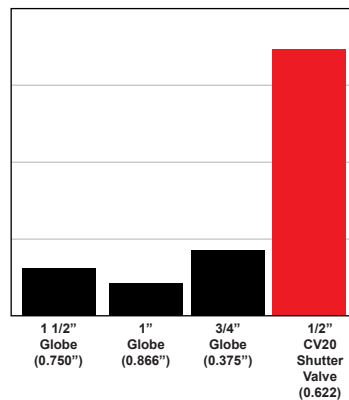
Volumetric Flow Rate  
(ΔP=10 psid) (US GPM)



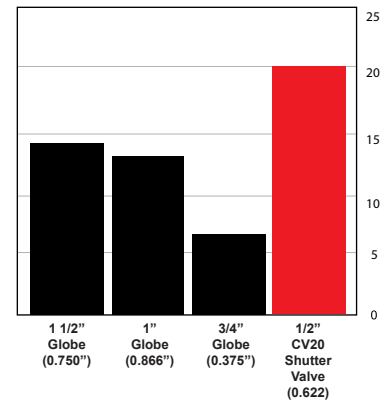
Assembly Weight  
(lbs)



Rangeability



Maximum Cv Coefficient



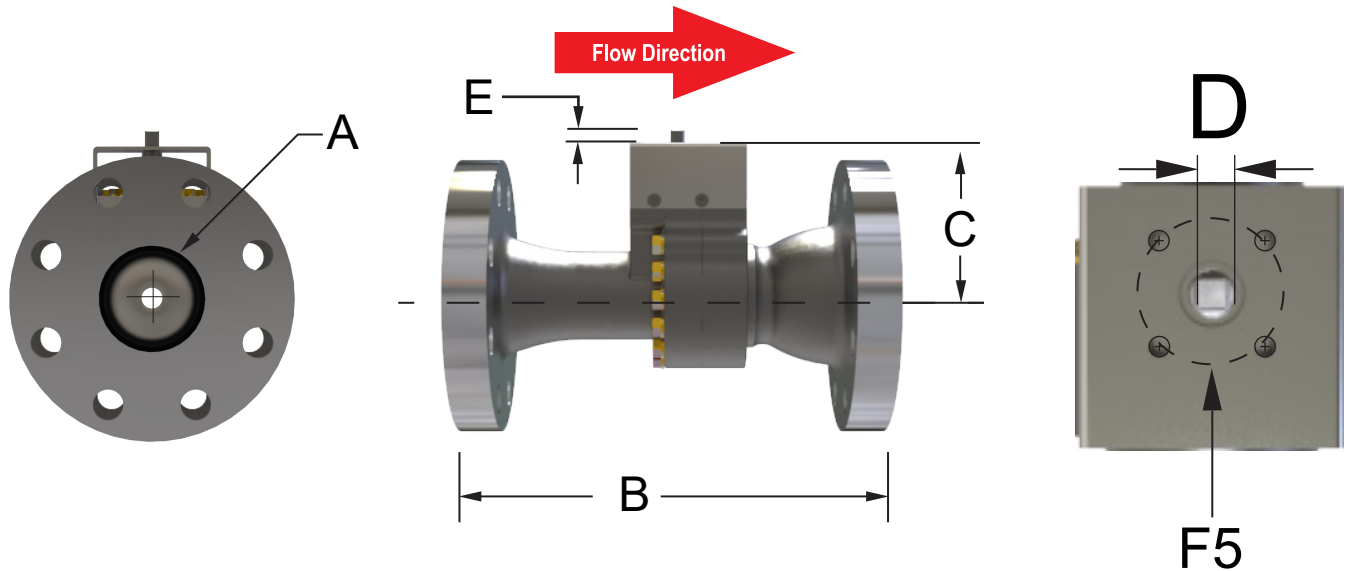
# CV20 Shutter Valve™

Pressure Class 150 - 1500



# Clarke Valve™

World's Most Compact & Efficient Control Valve



A	B		C	D	E	F	G	H
ANSI B16.5 FLANGE [IN]	Pressure Class	ANSI B16.10 [IN]	[IN]	DRIVE SQUARE [IN]	DRIVE ENGAGEMENT [IN]	YOKE PATTERN [IN] ISO 5211	WEIGHT [LBS]	MINIMUM TORQUE [IN-LBS]
1/2"	CL150	6	4.515	0.433	0.535	F5 - 1.970	20	400
	CL300	6					21	
	CL600	6.5					22	
	CL900	8.5					44	
	CL1500						44	
3/4"	CL150	6					21	
	CL300	7					24	
	CL600	7.5					24	
	CL900	9					47	
	CL1500						47	
1"	CL150	6					23	
	CL300	8					25	
	CL600	8.5					26	
	CL900	10					52	
	CL1500						52	
1 1/2"	CL150	6.5	27					
	CL300	9	32					
	CL600	9.5	35					
	CL900	12	65					
	CL1500		65					
2"	CL150	8	33					
	CL300	10.5	37					
	CL600	11.5	41					
	CL900	14.5	86					
	CL1500		86					
3"	CL150	9.5	46					
	CL300	12.5	54					
	CL600	14	60					
	CL900	15	111					
	CL1500	18.5	130					