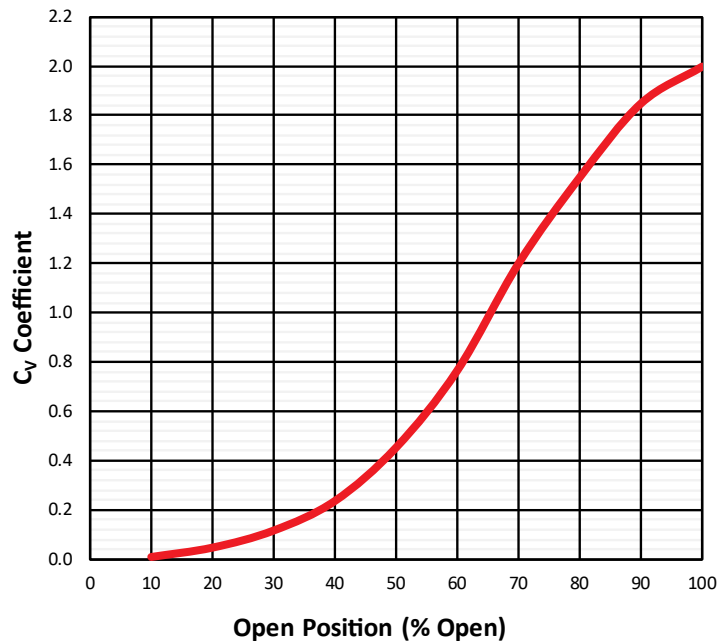


CV2
(shown without actuator)

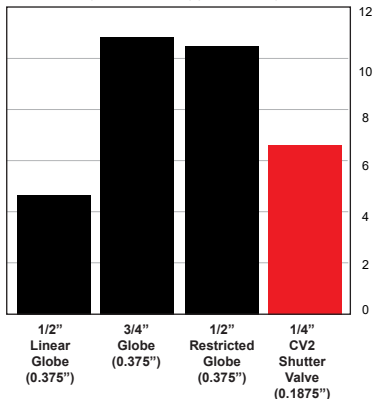
Flow Characteristics

% Open	C _V	F _L	X _T	K _V
10 %	0.01	0.99	0.63	0.0087
20 %	0.05	0.96	0.52	0.0043
30 %	0.12	0.90	0.44	0.1038
40 %	0.24	0.87	0.40	0.2076
50 %	0.45	0.84	0.40	0.3893
60 %	0.77	0.75	0.44	0.6661
70 %	1.20	0.60	0.50	1.2456
80 %	1.60	0.48	0.48	1.3840
90 %	1.90	0.41	0.40	1.6345
100 %	2.00	0.37	0.33	1.7300

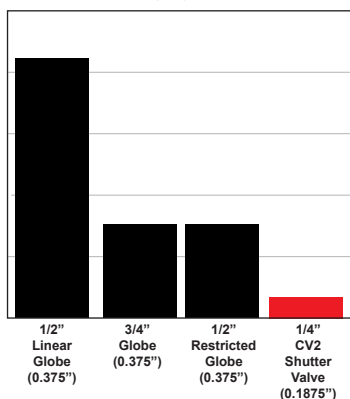


Market Comparison

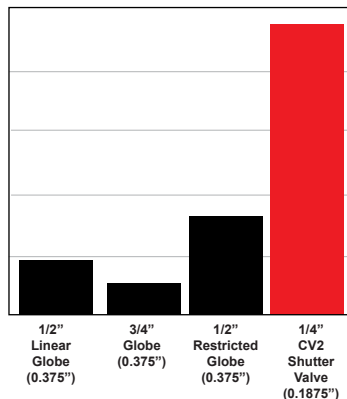
Volumetric Flow Rate
(ΔP=10 psid)(US GPM)



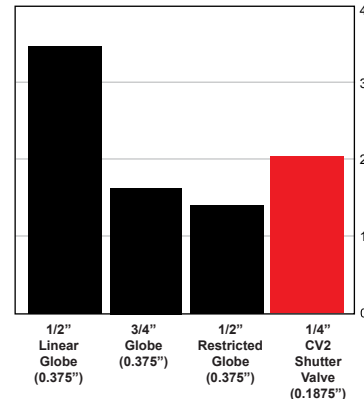
Assembly Weight
(lbs)



Rangeability



Maximum Cv Coefficient



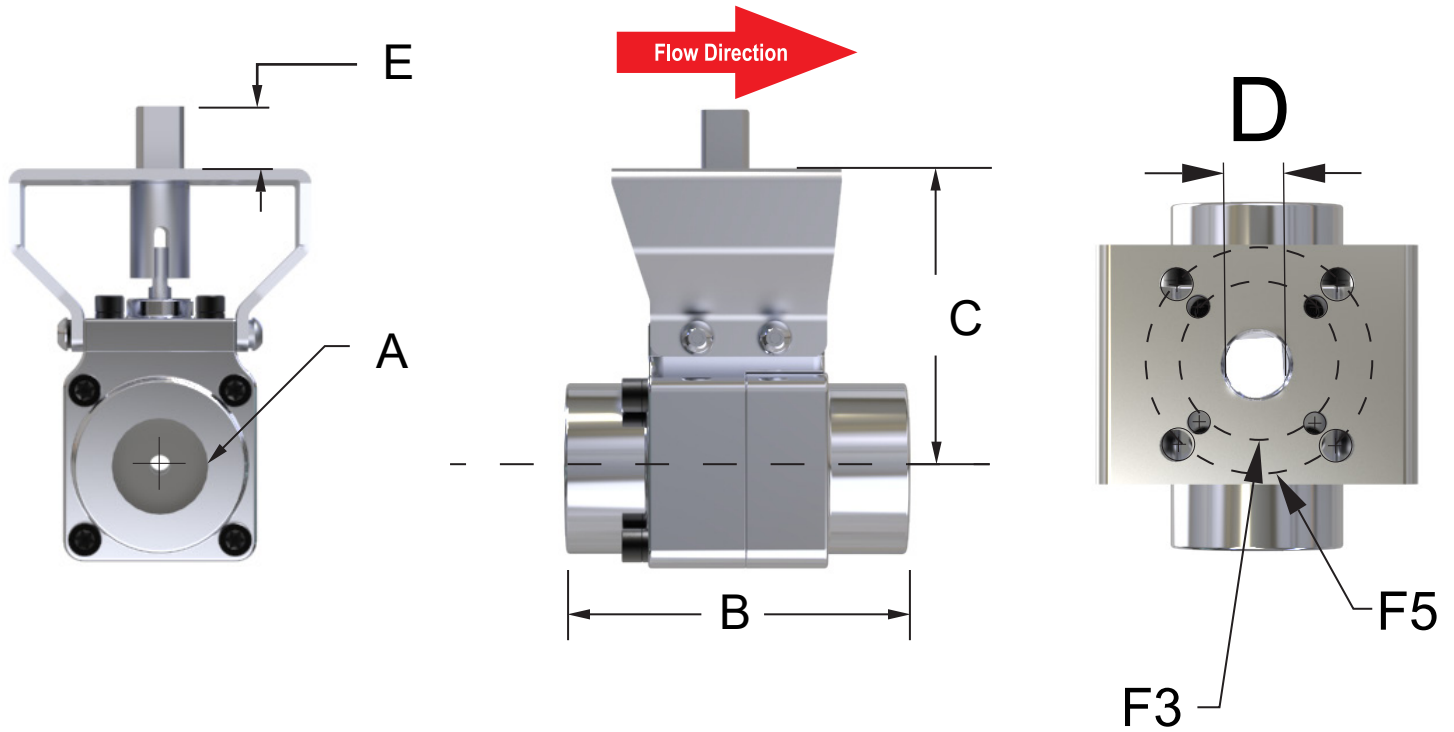
CV2 Shutter Valve™

Pressure Class 150 - 1500



Clarke Valve™

World's Most Compact & Efficient Control Valve



A	B		C	D	E	F	G	H
ANSI B16.5 FLANGE [IN]	Pressure Class	ANSI B16.10 [IN]	[IN]	DRIVE SQUARE [IN]	DRIVE ENGAGEMENT [IN]	YOKE PATTERN [IN] ISO 5211	WEIGHT [LBS]	MINIMUM TORQUE [IN-LBS]
1/2"	CL150	4.3	2.73	0.433	0.684	F3- 1.417 F5 - 1.970	5	200
	CL300	6					6	
	CL600	6.5					6.5	
	CL900	8.5					11	
	CL1500						11	
3/4"	CL150	4.6					6	
	CL300	7					8	
	CL600	7.5					9	
	CL900	9					14	
	CL1500						14	
1"	CL150	5					7	
	CL300	8					10	
	CL600	8.5					10.5	
	CL900	10					19	
	CL1500						19	