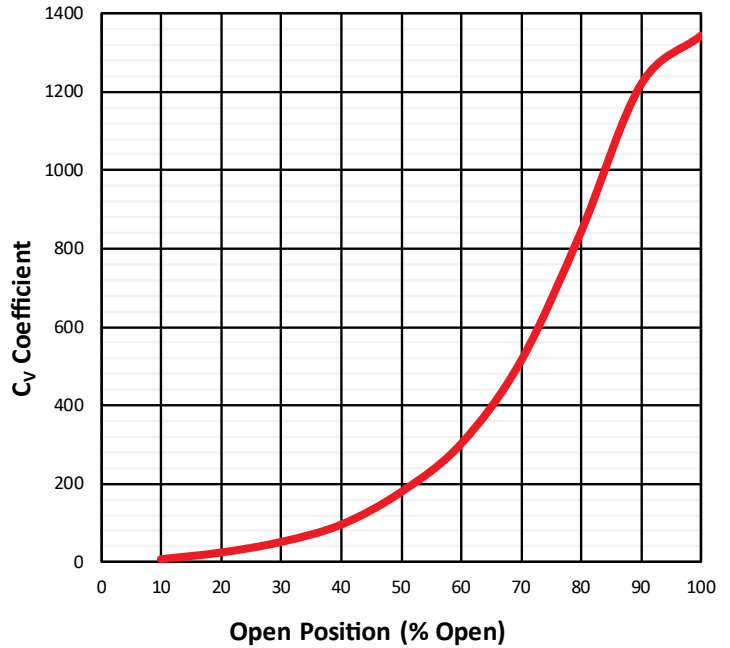


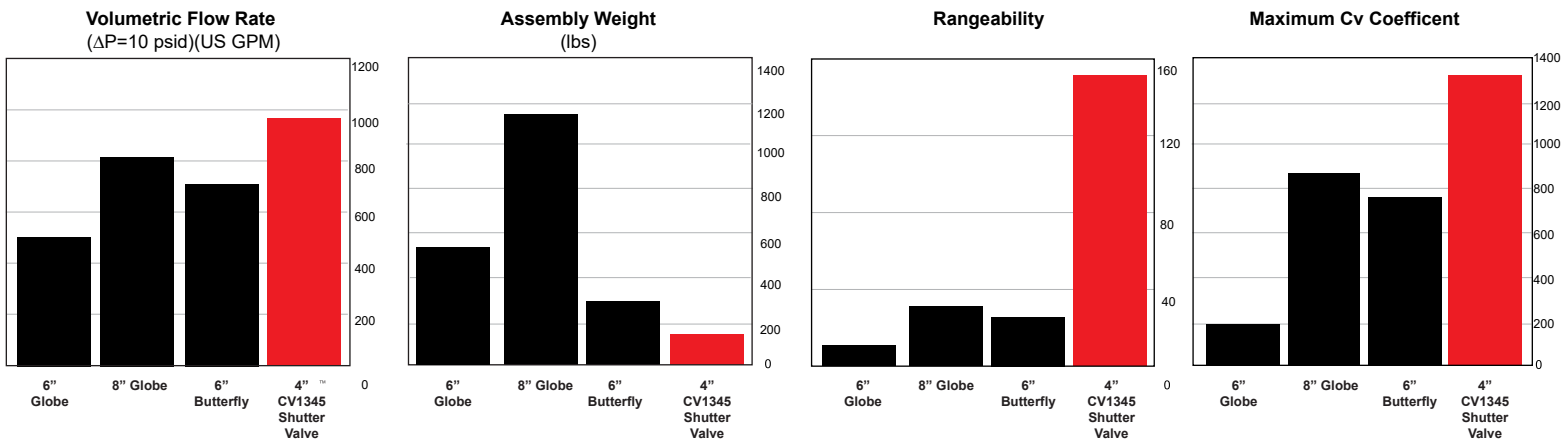
CV1345
(shown without actuator)

Flow Characteristics

% Open	C _V	F _L	X _T	K _V
10 %	9.0	0.98	0.52	7.79
20 %	26.0	0.93	0.49	22.49
30 %	53.0	0.81	0.42	45.85
40 %	97.0	0.76	0.36	83.91
50 %	180	0.71	0.32	155.7
60 %	303	0.56	0.28	262.1
70 %	515	0.36	0.24	445.5
80 %	844	0.23	0.20	730.1
90 %	1220	0.17	0.17	1055
100 %	1345	0.14	0.14	1163



Market Comparison



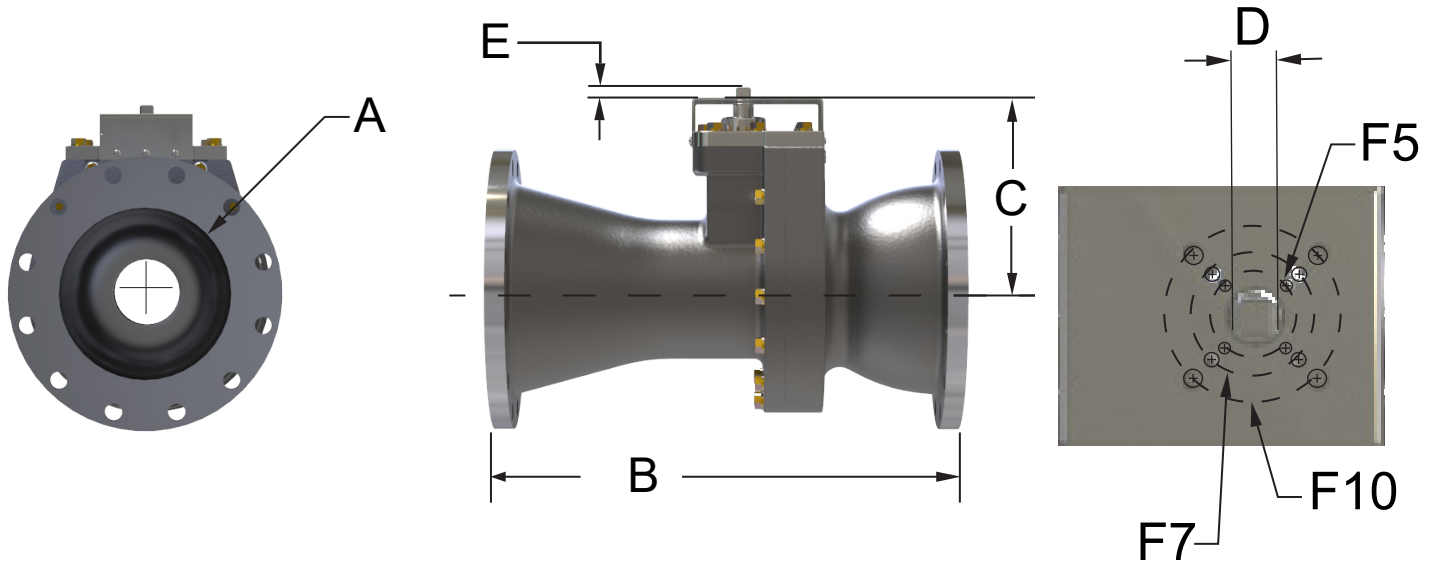
CV1345 Shutter Valve™

Pressure Class 150 - 600



Clarke Valve™

World's Most Compact & Efficient Control Valve



A	B		C	D	E	F	G	H
ANSI B16.5 FLANGE [IN]	Pressure Class	ANSI B16.10 [IN]	[IN]	DRIVE SQUARE [IN]	DRIVE ENGAGEMENT [IN]	YOKE PATTERN [IN] ISO 5211	WEIGHT [LBS]	MINIMUM TORQUE [IN- LBS]
4"	CL150	11.5	10.83	0.866	0.919	F5- 1.970 F7- 2.760 F10-4.016	262	2,000
	CL300	14					297	
	CL600	17					338	
6"	CL150	16					317	
	CL300	17.5					370	
	CL600	22					457	
8"	CL150	19.5					375	
	CL300	22					449	
	CL600	26					549	
10"	CL150	24.5					463	
	CL300						560	
	CL600						734	
12"	CL150	27.5	546					
	CL300	28	674					
	CL600	33	833					