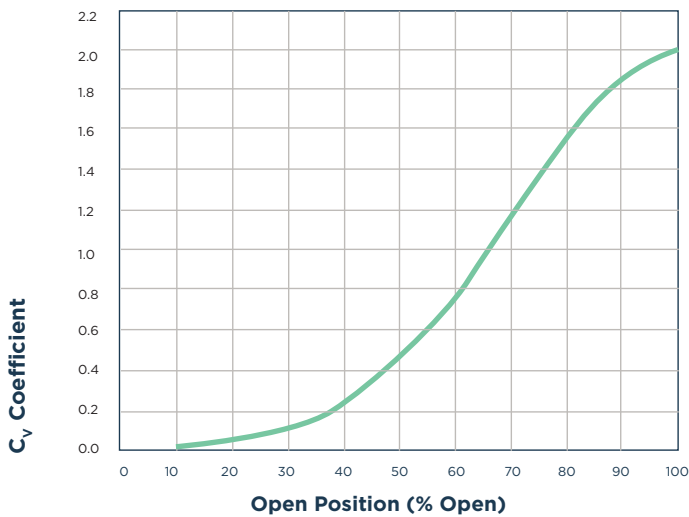


CV2 DILATING DISK™ VALVE

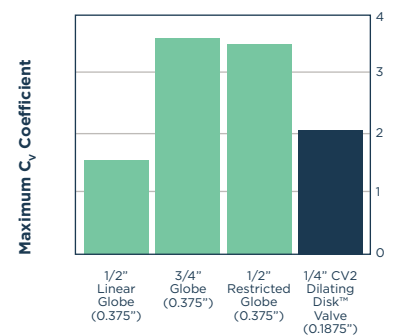
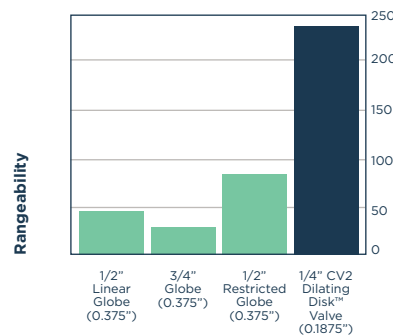
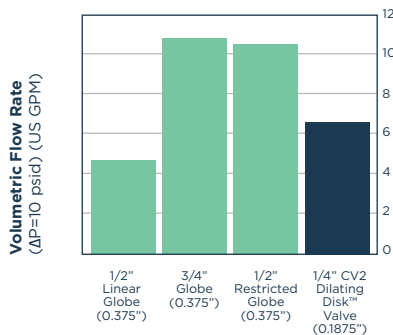
Flow Characteristics

% OPEN	C_v	K_v	F_L	X_T
10	0.00858	0.0074	0.99	0.63
20	0.0466	0.040	0.96	0.53
30	0.116	0.100	0.90	0.44
40	0.236	0.204	0.87	0.40
50	0.453	0.392	0.84	0.40
60	0.766	0.663	0.75	0.44
70	1.20	1.038	0.60	0.50
80	1.55	1.341	0.48	0.48
90	1.85	1.600	0.41	0.40
100	2.00	1.730	0.37	0.33

What results does the Dilating Disk™ Valve deliver?

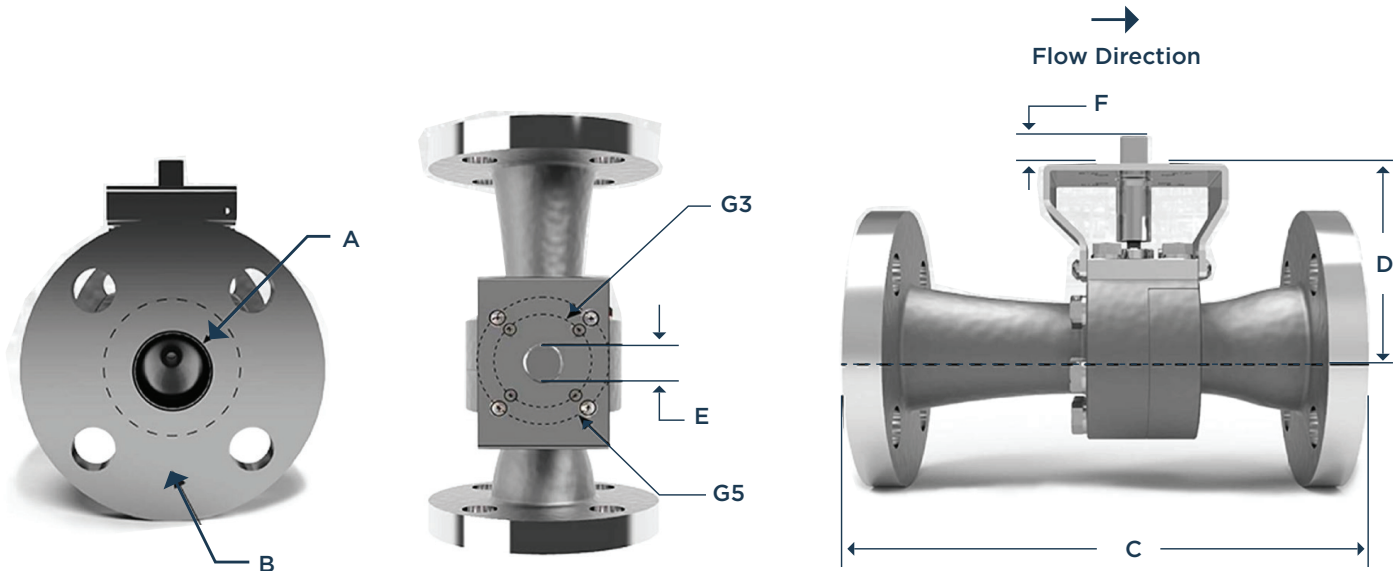


Market Comparison How does the Dilating Disk™ Valve compare?



CV2 DILATING DISK™ VALVE

PRESSURE CLASS
150 - 1500



A		B	C	D	E	F	G	H	I
ASME B16.5		PRESSURE CLASS	ISA 75.08		DRIVE SQUARE WIDTH	DRIVE SQUARE HEIGHT	ISO 5211 YOKE PATTERN	WEIGHT [LBS]	MAST [IN-LBS]
[NPS]			[IN]	[IN]	[IN]	[IN]	[IN]		
NPT ONLY	0.25"	CL600	3.15	2.73	0.433	0.684	F3 - 1.417 F5 - 1.970	5	67
	0.5"	CL1500	3.15					9	
1"		CL150	7.25	2.73	0.433	0.684	F3 - 1.417 F5 - 1.970	12	67
		CL300	7.75					13	
		CL600	8.25					25	
		CL1500	11.5						