

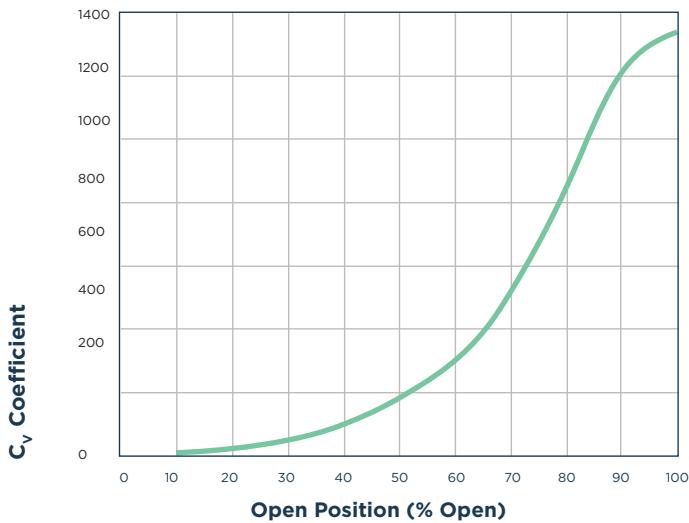
CVI345 DILATING DISK™ VALVE

Flow Characteristics

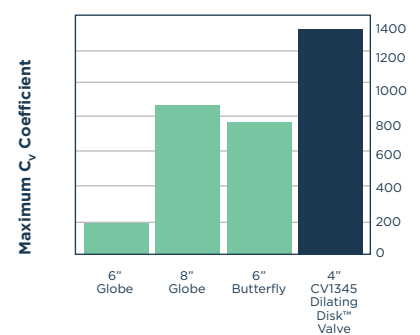
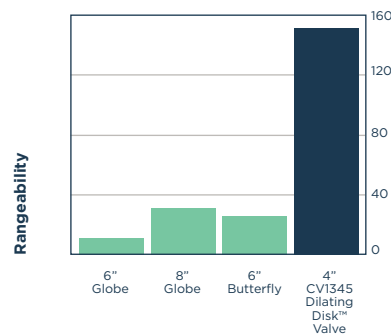
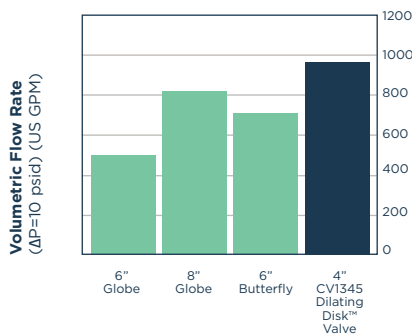
% OPEN	C_v	K_v	F_L	X_T
10	9.00	7.79	0.98	0.52
20	26.0	22.5	0.93	0.49
30	53.0	45.8	0.81	0.42
40	97.0	83.9	0.76	0.36
50	181	156	0.71	0.32
60	303	262	0.56	0.28
70	515	445	0.36	0.24
80	844	731	0.23	0.19
90	1220	1060	0.17	0.17
100	1345	1160	0.14	0.14



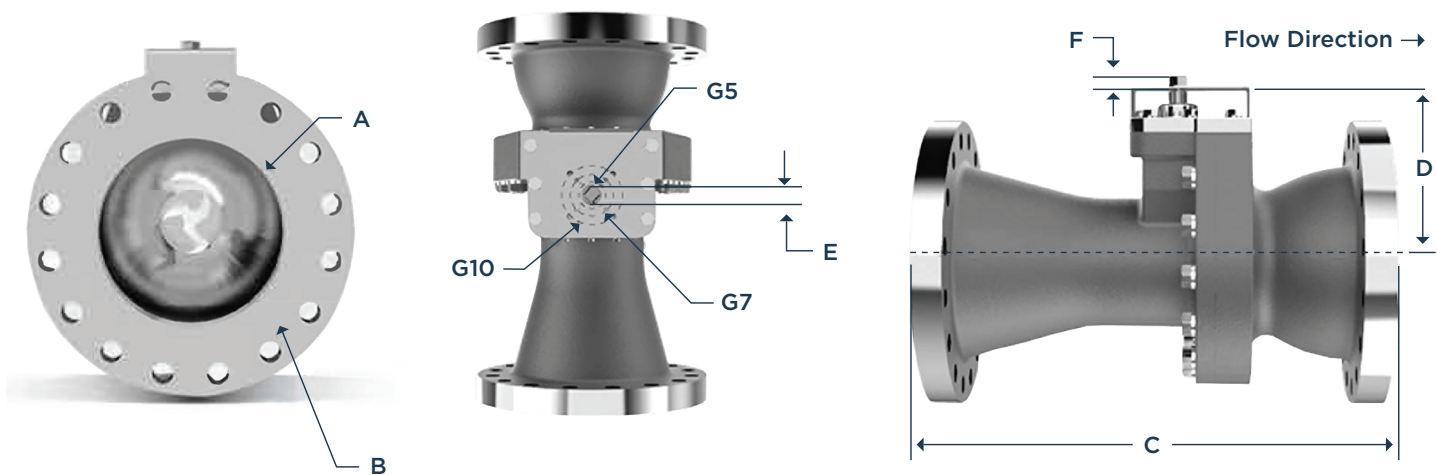
What results does the Dilating Disk™ Valve deliver?



Market Comparison How does the Dilating Disk™ Valve compare?



CVI345 DILATING DISK™ VALVE PRESSURE CLASS 150 - 600



A	B	C	D	E	F	G	H	I
ASME B16.5	PRESSURE CLASS	ISA 75.08		DRIVE SQUARE WIDTH	DRIVE SQUARE HEIGHT	ISO 5211 YOKE PATTERN	WEIGHT [LBS]	MAST [IN-LBS]
[NPS]		[IN]	[IN]	[IN]	[IN]	[IN]		
6"	CL150	17.75	10.827	0.866	0.700	F5 - 1.970 F7 - 2.760 F10 - 4.016	312	8641
	CL600	18.62					361	
	CL300	20					443	
8"	CL150	21.38					370	
	CL300	22.38					441	
	CL600	24					535	
10"	CL150	26.5					458	
	CL300	27.88					551	
	CL600	32.35					717	
12"	CL150	29	542					
	CL300	30.5	665					
	CL600	32.25	819					